

IMPORTANT SAFETY INFORMATION. READ AND FOLLOW SAFETY INSTRUCTIONS. Follow label information and instructions concerning locations, installation near combustible materials, insulation, building materials, and proper lamping. Do not install in areas subject to combustible vapors or gases. Before wiring to power supply and during servicing or relamping, turn off power at fuse or circuit breaker. **All servicing must be performed by qualified service personnel. Product must be grounded to avoid potential electric shock or other potential hazard. Product must be mounted in locations and at heights in a manner consistent with its intended use, and in compliance with the National Electrical Code and local codes.**

INSTALLATION INSTRUCTIONS

AKTCLS

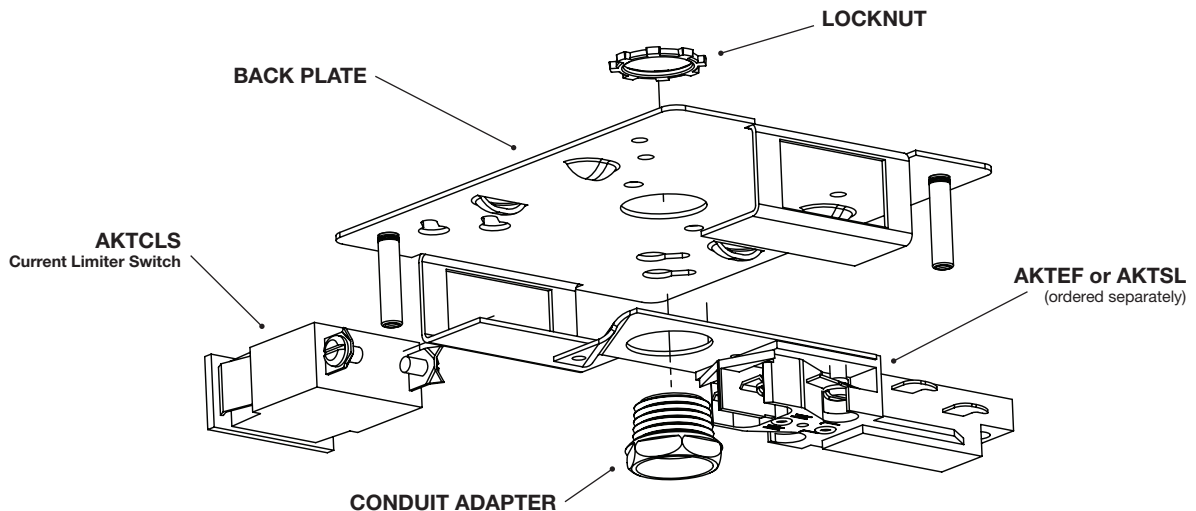
TRACK CURRENT LIMITER DEVICE

INSTALLATION INSTRUCTIONS FOR AKTCLS TRACK CURRENT LIMITER DEVICE

FOR USE WITH PRESCOLITE® AKT ONE/TWO CIRCUIT TRACK SYSTEM ONLY.
READ INSTALLATION INSTRUCTIONS BEFORE INSTALLING THE TRACK SYSTEM.
SAVE INSTRUCTIONS FOR REFERENCE WHEN MAKING ADDITIONS OR CHANGES
IN THE TRACK SYSTEM CONFIGURATION.

BACK PLATE INSTALLATION

1. Attach track feed connector (AKTEF or AKTSL, ordered separately) to back plate using conduit adaptor and lock nut as shown on installation diagram.
2. Pull supply wires from junction box through conduit adaptor. Secure back plate to junction box using screws supplied with junction box or by others.
3. Snap switch into opening in bracket. Use canopy to determine proper location.



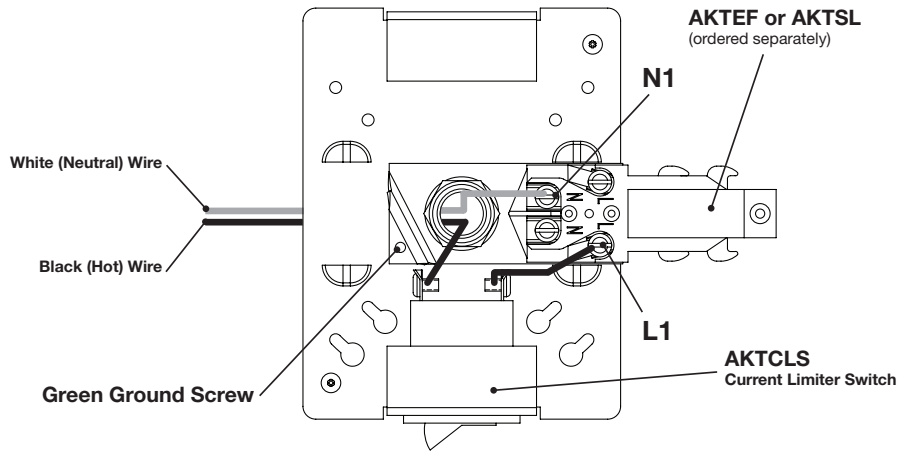
Instruction Sheet

WIRING

NOTE: L-1, L-2 BRASS COLORED TERMINAL
 N-1, N-2 NICKEL COLORED TERMINAL
 JUMPER WIRES USE 12 GA. STRANDED, UL/CSA LISTED 90 DEGREE WIRE
 SHOWN WITH AKTEF. FOR AKTSL, FOLLOW SAME WIRING INSTRUCTIONS

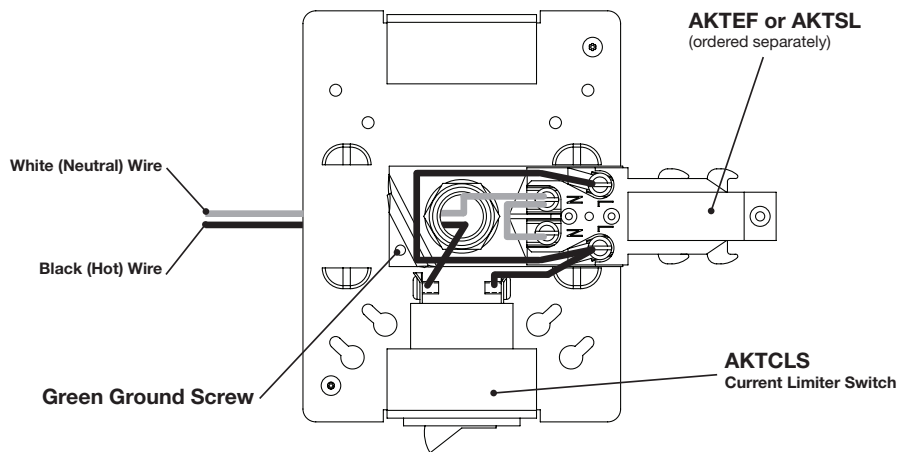
ONE CIRCUIT INSTALLATION – Wired for one side of track

1. Connect black supply wire to line side of switch. Secure with approved connector
2. Connect supplied black jumper wire from switch to L-1 terminal on track feed connector
3. Connect neutral supply wire to N-1 terminal on track feed connector
4. Connect ground wire to ground screw



ONE CIRCUIT INSTALLATION – Wired for both sides of track

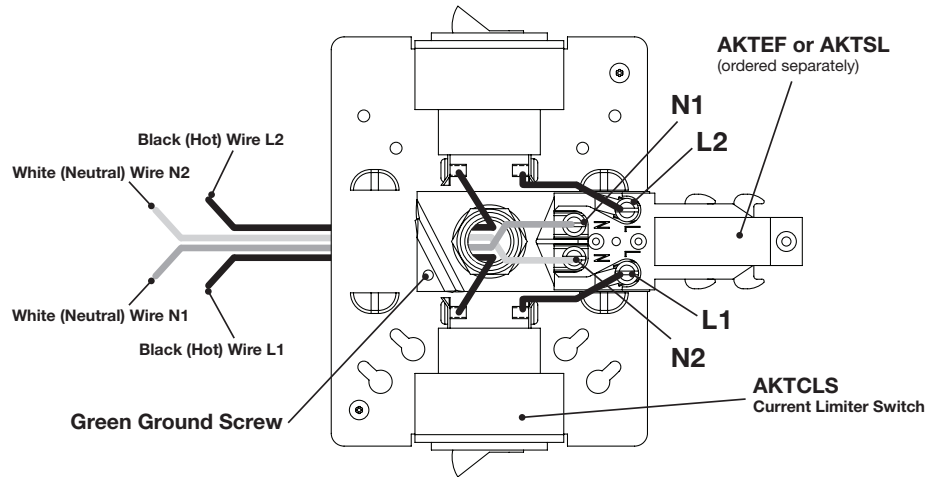
1. Connect black supply wire to line side of switch. Secure with approved connector
2. Connect supplied black jumper wire from switch to L-1 terminal on track feed connector
3. Connect neutral supply wire to N-1 terminal on track feed connector
4. Connect black jumper wire (supplied by others) to L-1 terminal and L-2 terminal on track connector
5. Connect white jumper wire (supplied by others) to N-1 terminal and N-2 terminal on track connector
6. Connect ground wire to ground screw



Instruction Sheet

TWO CIRCUIT INSTALLATION

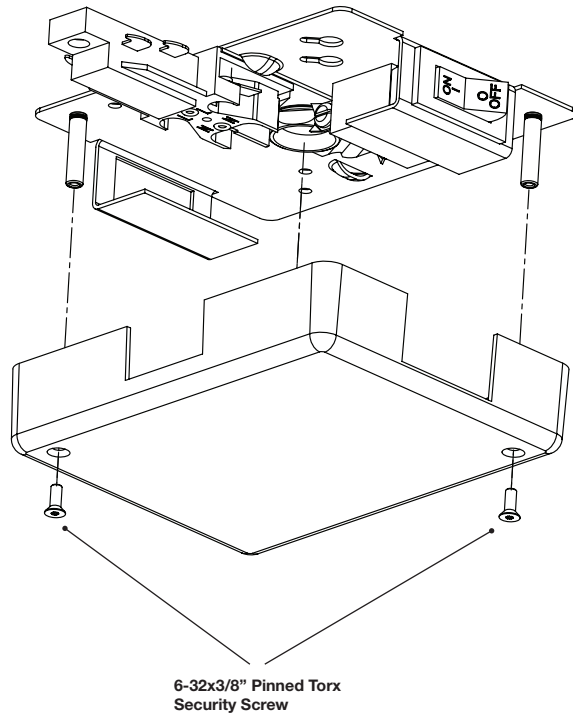
1. Connect circuit one black supply wire to line side of one switch. Secure with approved connector
2. Connect supplied black jumper wire from switch, wired to circuit 1, to L-1 terminal on track feed connector
3. Connect circuit one neutral supply wire to N-1 terminal on track feed connector
4. Connect circuit two hot supply wire to line side of remaining switch. Secure with approved connector
5. Connect supplied black jumper wire from switch, wired to circuit 2, to L-2 terminal on track feed connector
6. Connect circuit two neutral supply wire to N-2 terminal on track feed connector
7. Connect ground wire to ground screw



CANOPY INSTALLATION

1. Align cutouts to slide canopy over junction box as shown in diagram. If installing with AKTSL and/or second switch, remove the appropriate scored tab.
2. Secure canopy to junction box with supplied tamper-resistant screws, using bit driver provided to tighten screws.

NOTE: IN ORDER TO MEET CALIFORNIA TITLE 24 REQUIREMENTS, CANOPY MUST BE SECURED WITH VANDEL RESISTANT SCREWS PROVIDED.



OPERATION

After installation is complete, place current limiter switch in the "on" position to power track. If current draw of installed heads exceeds maximum ratings on the current limiter, limiter will automatically switch to "off" position. If this occurs, reduce the wattage/current draw on the track to a wattage/current draw lower than the maximum ratings allowed on the current limiter. Turn current limiter switch back in the "on" position.



Hubbell Lighting, Inc.

701 Millennium Blvd, Greenville, SC 29607

With representatives offices in principal cities throughout North America.
Copyright 2007, 11/21/07, All Rights Reserved - Printed in U.S.A.

