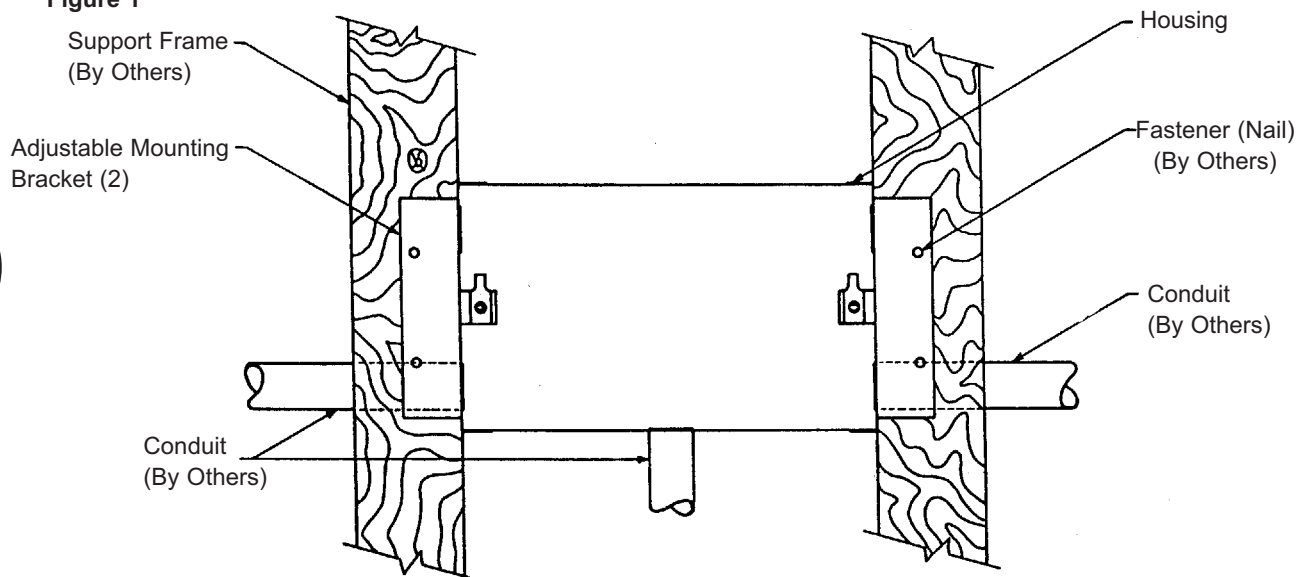


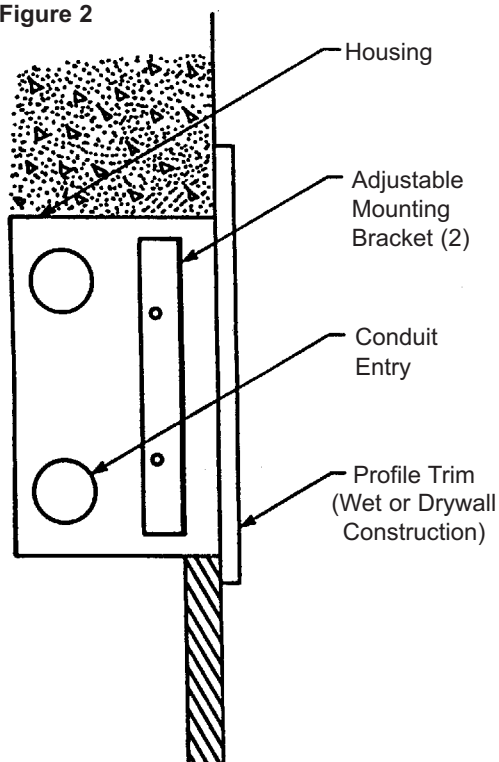
IMPORTANT SAFETY INFORMATION. READ AND FOLLOW ALL SAFETY INSTRUCTIONS. Follow label information and instructions concerning Wet or Damp Locations, installation near combustible materials, insulation, building materials, and proper lamping. Do not install in areas subject to combustible vapors or gases. Before wiring to power supply and during servicing or relamping, turn off power at fuse or circuit breaker. **All servicing or relamping must be performed by qualified service personnel. Product must be grounded to avoid potential electric shock or other potential hazard. Product must be mounted in locations and at heights and in a manner consistent with its intended use, and in compliance with the National Electrical Code and local codes.** The use of accessory equipment not recommended by the manufacturer or installed contrary to instructions may cause an unsafe condition. Do not block light emanating from product in whole or part, as this may cause an unsafe condition. Do not allow items such as drapes, curtains, screens or the like to come into contact with the product or to block light from the product, as this may cause an unsafe condition.

INSTALLATION INSTRUCTIONS ALCF-1, 4, 5, and 6

**Housing Installation
Figure 1**

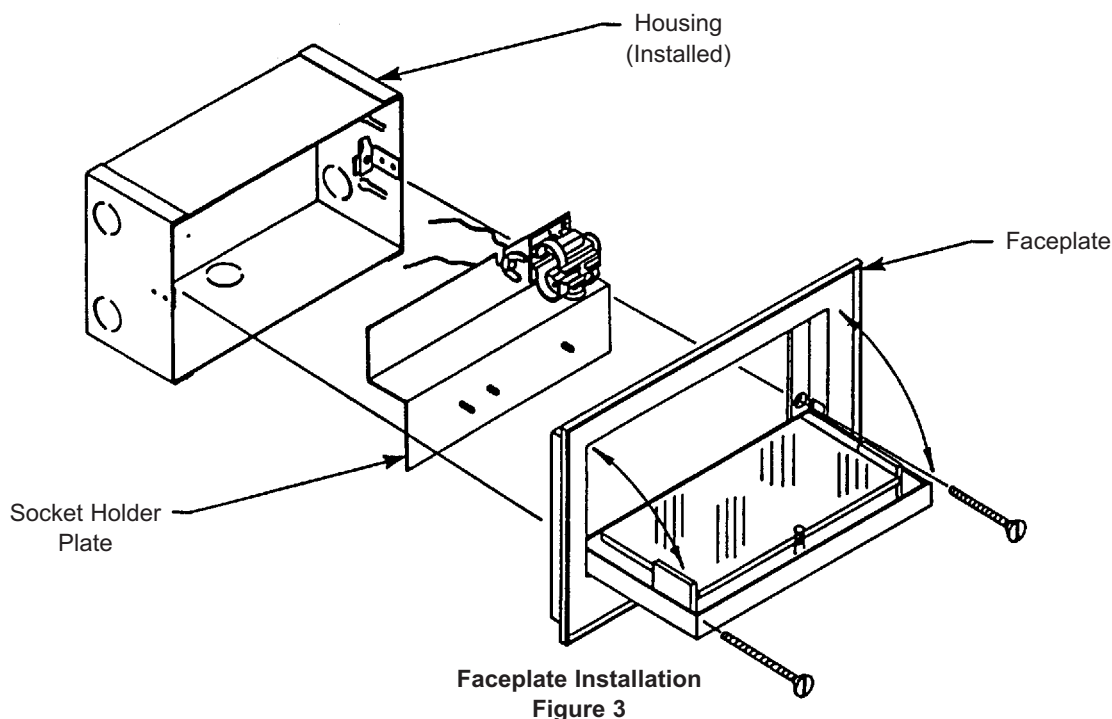


**Profile Trim
Figure 2**



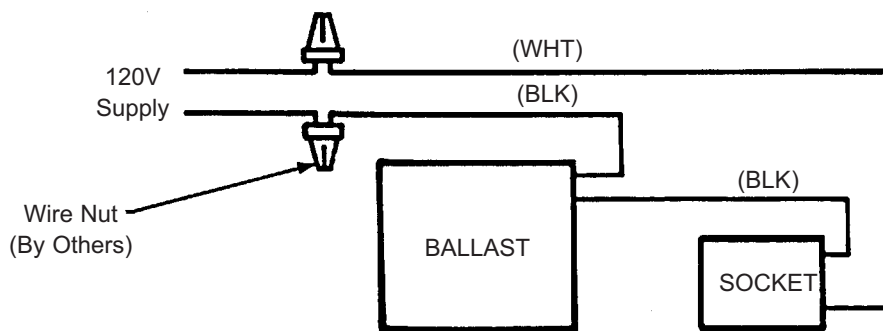
1. Install the housing by nailing the mounting brackets on the housing to the frame support as shown in Fig. 1, or frame in the housing as desired for wet or dry wall construction.
2. Adjust the mounting brackets to locate the housing as required for profile trim (Fig. 2).
3. Install the conduit (by others) to align with one of three 7/8" diameter knockouts located on the sides and bottom of housing. Remove the wingnut retaining the socket mounting plate and lift out plate.
4. When installed in concrete pour or mortar and in a situation where direct water exposure is frequent, the concrete or mortar is to be suitably treated with a sealing or repelling agent to insure that the fixture housing does not remain continuously wet.





Faceplate Installation
Figure 3

5. Make electrical connections. Connect ground wires to green ground leads. Connect white (common) to white leads. Connect power supply (line) to black leads. (see wiring diagram). For through wiring: replace the J-Box cover (Fig. 4). Replace the socket mounting plate and install lamp. **WARNING: DO NOT pinch wires. Consult a Qualified Electrician for all other options that require other wiring configurations.**
6. Assemble faceplate to the housing (Figure 3) with two (2) 8-32 flathead screws (provided in packet).
7. To relamp fixture:
 - ALCF-1 Remove faceplate
 - ALCF-4, 5, & 6 Loosen thumbscrew and open faceplate door.



Wiring Diagram
Fig. 4

