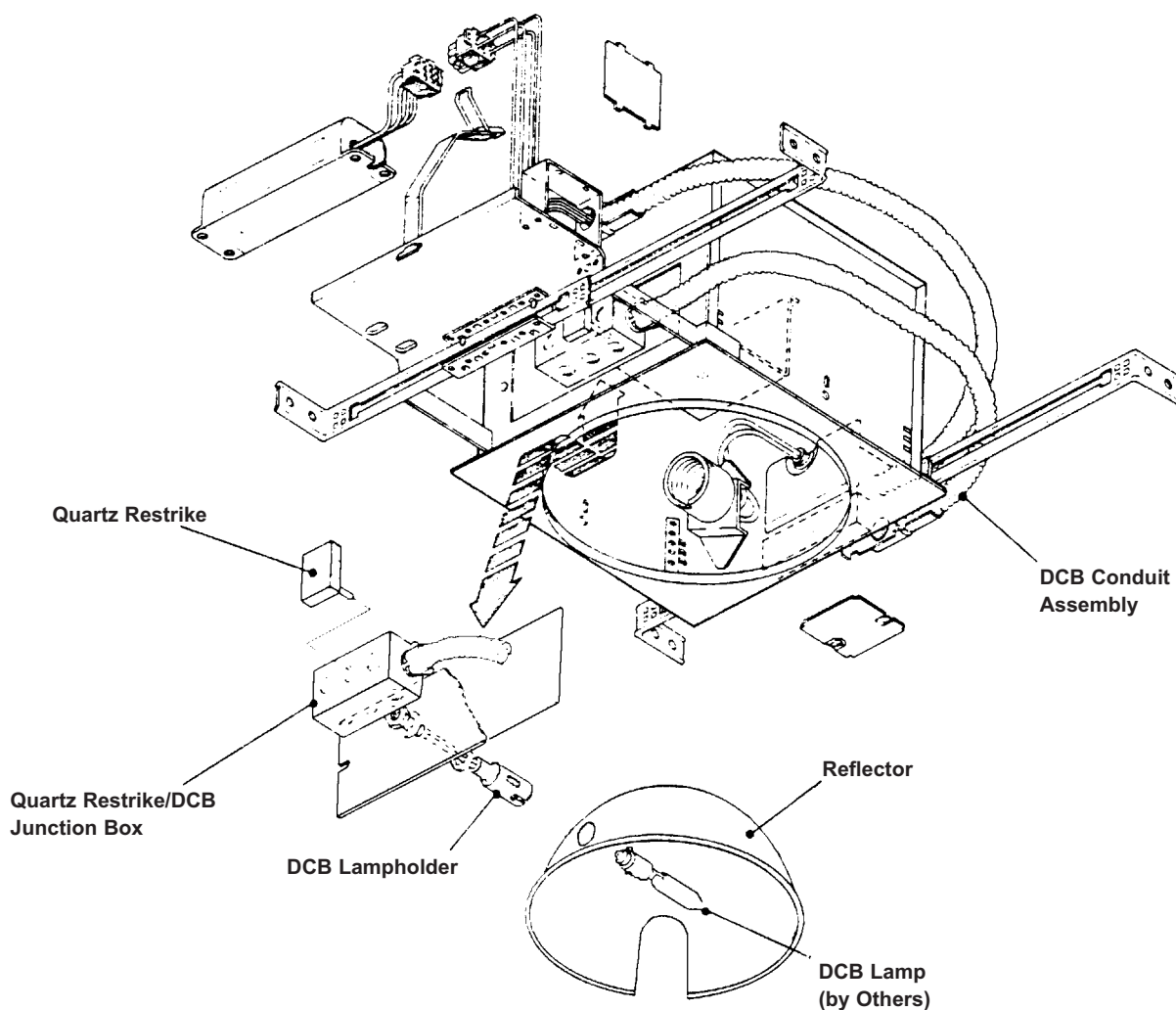


IMPORTANT SAFETY INFORMATION. READ AND FOLLOW ALL SAFETY INSTRUCTIONS. Follow label information and instructions concerning Wet or Damp Locations, installation near combustible materials, insulation, building materials, and proper lamping. Do not install in areas subject to combustible vapors or gases. Before wiring to power supply and during servicing or relamping, turn off power at fuse or circuit breaker. **All servicing or relamping must be performed by qualified service personnel. Product must be grounded to avoid potential electric shock or other potential hazard. Product must be mounted in locations and at heights and in a manner consistent with its intended use, and in compliance with the National Electrical Code and local codes.** The use of accessory equipment not recommended by the manufacturer or installed contrary to instructions may cause an unsafe condition. Do not block light emanating from product in whole or part, as this may cause an unsafe condition. Do not allow items such as drapes, curtains, screens or the like to come into contact with the product or to block light from the product, as this may cause an unsafe condition.

INSTALLATION INSTRUCTIONS H.I.D. REC. SQUARES & ROUNDS



CAUTION: To avoid electrical shock, be sure power supply is turned off before installing or servicing this fixture. Check ballast for correct wattage, voltage and lamp type.

Housing with Quartz Restrike Option - (Factory Wired):

Install the housing and ballast, and select the proper voltage connector for your supply voltage per Instruction Sheet 05064500 for 'UL' or Instruction Sheet 05162800 for 'CSA' provided with the housing and ballast.



Instructions Sheet

Housings with DCB Option:

1. Follow instructions outlined above for installing the housing, ballast, voltage selection, and housing reflector types, A-Line or ellipsoidal
2. Unlike the housings with Quartz Restrike the DCB housings are supplied with the leads from the emergency lamp socket unwired.
3. Remove the J-Box Cover(s) and locate the two leads from the emergency lamp socket. Splice these two leads to a separate emergency circuit. Replace J-Box Cover(s).
CAUTION: Separate DCB circuit is 120V supply only.
4. Install correct quartz lamp per table below.

| Wattage of H.I.D. Lamp | AUXILIARY LAMP WATTAGE TABLE FOR QUARTZ RESTRIKE | | | |
|---------------------------|--|----------------|---------------------------------|---------------------|
| | Maximum Wattage for Integral Lamp | | Maximum Wattage for Remote Lamp | |
| | Enclosed Fixtures | Open Fixtures | 120V Supply | 208/240/277V Supply |
| 35W - 100W | 100W T4 Quartz | 100W T4 Quartz | 400W | 100W |
| 150W - 175W | 100W T4 Quartz | 150W T4 Quartz | 400W | 150W |
| 250W - 400W | 150W T4 Quartz | 250W T4 Quartz | 400W | 300W |

| Wattage of Standard Fixture Lamp thru 100W | AUXILIARY LAMP WATTAGE TABLE FOR DCB | |
|---|--------------------------------------|----------------|
| | Maximum Wattage for Integral Lamp | |
| | Enclosed Fixtures | Open Fixtures |
| 150W - 200W | 100W T4 Quartz | 100W T4 Quartz |
| 250W - 400W | 150W T4 Quartz | 250W T4 Quartz |

