

**IMPORTANT SAFETY INFORMATION. READ AND FOLLOW ALL SAFETY INSTRUCTIONS.** Follow label information and instructions concerning Wet or Damp Locations, installation near combustible materials, insulation, building materials, and proper lamping. Do not install in areas subject to combustible vapors or gases. Before wiring to power supply and during servicing or relamping, turn off power at fuse or circuit breaker. **All servicing or relamping must be performed by qualified service personnel. Product must be grounded to avoid potential electric shock or other potential hazard. Product must be mounted in locations and at heights and in a manner consistent with its intended use, and in compliance with the National Electrical Code and local codes.** The use of accessory equipment not recommended by the manufacturer or installed contrary to instructions may cause an unsafe condition. Do not block light emanating from product in whole or part, as this may cause an unsafe condition. Do not allow items such as drapes, curtains, screens or the like to come into contact with the product or to block light from the product, as this may cause an unsafe condition.

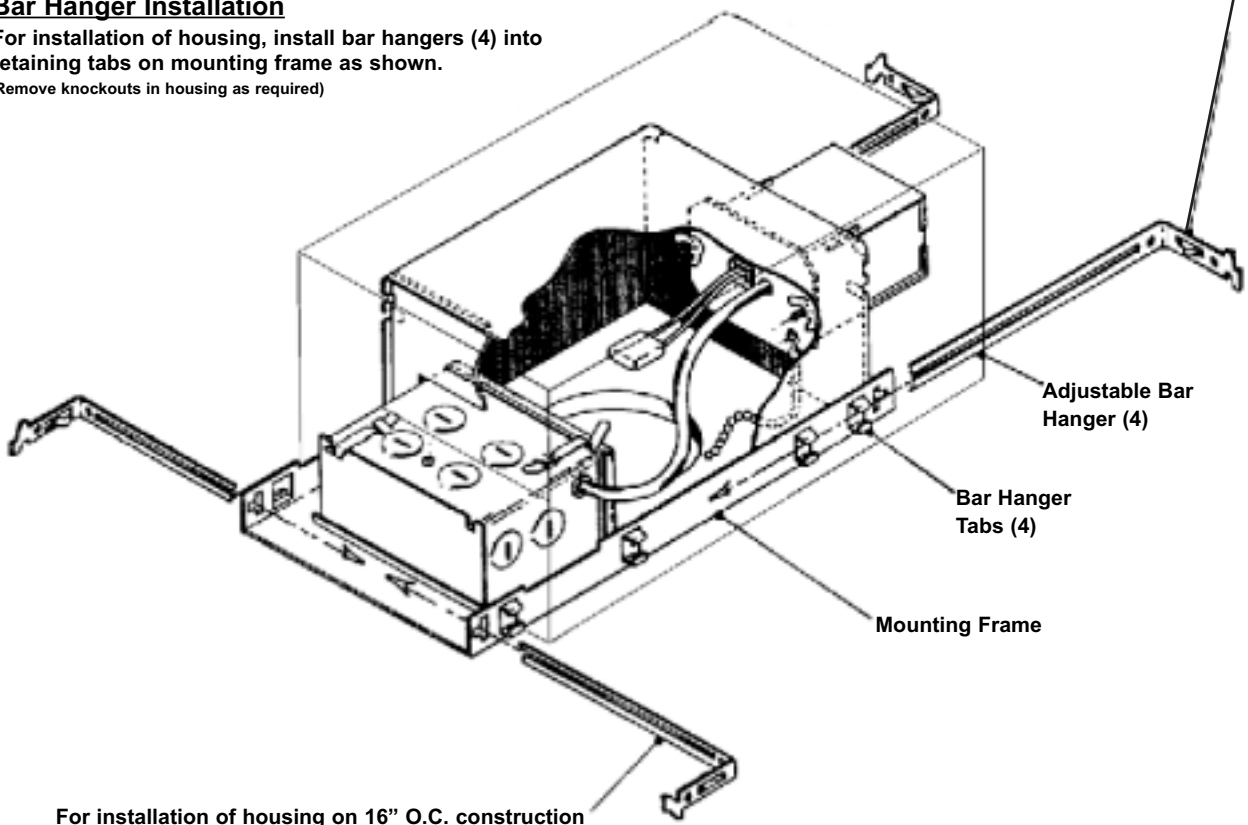
## INSTALLATION INSTRUCTIONS LVH4IC HOUSING

### Bar Hanger Installation

For installation of housing, install bar hangers (4) into retaining tabs on mounting frame as shown.

(Remove knockouts in housing as required)

For installation of housing on 24" O.C. construction  
(Remove knockouts in housing as required)



### !WARNING!

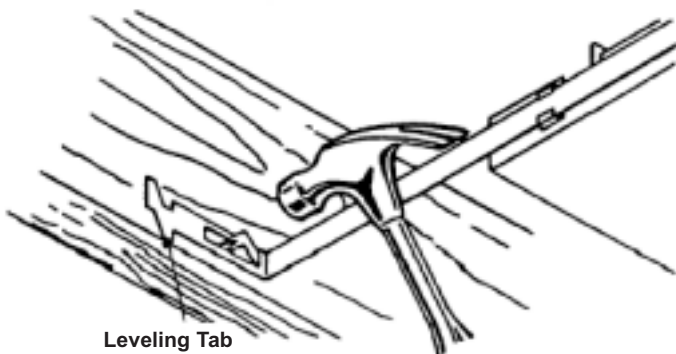
Disconnect power prior to wiring fixture to circuit.



# Instructions Sheet

### Frame-In

Place housing between joists, line-up self-leveling tabs with bottom of joists as shown and hammer integral forked nailing tabs into joists.



### Electrical Wiring

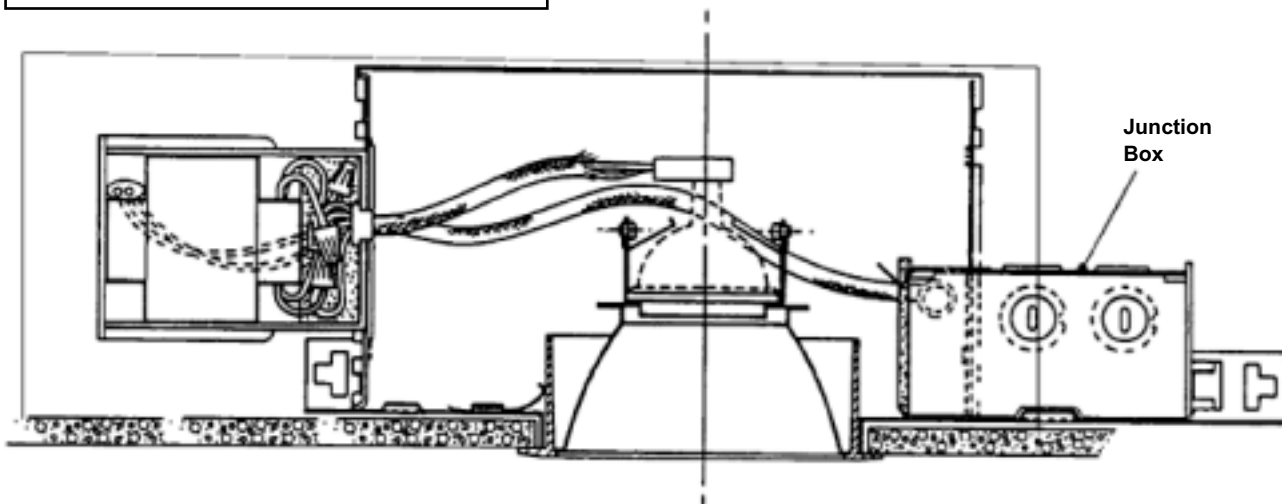
Warning: Disconnect power before wiring fixture to the circuit.

Use one of the knock-outs provided in the J-Box for supply wire entry. Remove J-box cover plates and make electrical splices, black to black, white to white and ground wire to green ground wire in J-Box. Push splices in J-Box and replace covers.

Electrical Rating of Fixture  
LVH4120: Primary 120V. .5 AMPS  
Secondary: 12V. 50VA. MAX.

### CAUTION

When installing trim in housing, make sure power and socket leads are not resting on lamp or trim surfaces.



### Close-Up

Install plasterboard 1/2" to 1" Max. Cut a 4 3/8" Dia. Hole in board at desired location for mounting frame trim flange.

### Suspended Ceilings

Make sure that the bottom of the mounting frame is no higher than 1" above ceiling line.

