

**IMPORTANT SAFETY INFORMATION. READ AND FOLLOW ALL SAFETY INSTRUCTIONS.** Follow label information and instructions concerning Wet or Damp Locations, installation near combustible materials, insulation, building materials, and proper lamping. Do not install in areas subject to combustible vapors or gases. Before wiring to power supply and during servicing or relamping, turn off power at fuse or circuit breaker. **All servicing or relamping must be performed by qualified service personnel. Product must be grounded to avoid potential electric shock or other potential hazard. Product must be mounted in locations and at heights and in a manner consistent with its intended use, and in compliance with the National Electrical Code and local codes.** The use of accessory equipment not recommended by the manufacturer or installed contrary to instructions may cause an unsafe condition. Do not block light emanating from product in whole or part, as this may cause an unsafe condition. Do not allow items such as drapes, curtains, screens or the like to come into contact with the product or to block light from the product, as this may cause an unsafe condition.

## INSTALLATION INSTRUCTIONS SCIBX8

\*\*\*\*\*  
**WARNING:** Thermal insulation may be installed in direct contact with fixture, but **DO NOT** install insulation in excess of eight (8) inches deep above fixture. Greater depth may cause the thermal protector unit to cycle the fixture on or off.

**WARNING:** Use only those trims, lamps and maximum wattages proper for this fixture, as indicated on the label within the fixture housing.

**WARNING:** The National Electrical Code, Article 110-3 (b), states that "Listed or labeled equipment shall be used or installed in accordance with any instructions included in the listing or labeling". Use only with Prescolite UL listed trims. Use of other trims not listed in this fixture, including those that are UL classified, is a violation of N.E.C. 110-3(b) and voids all warranties.

**WARNING:** If any special control devices are used with this fixture, follow the instructions carefully to assure full compliance with N.E.C. requirements. If there are any questions, contact a qualified electrical contractor.

\*\*\*\*\*

THIS UNIT IS TO BE USED ONLY IN SLOPED CEILINGS FROM 2-12 TO 12-12 PITCH.  
 THIS UNIT IS ONLY TO BE MOUNTED WITH JUNCTION BOX SLOPED DOWN (AS SHOWN IN FIG. 2).

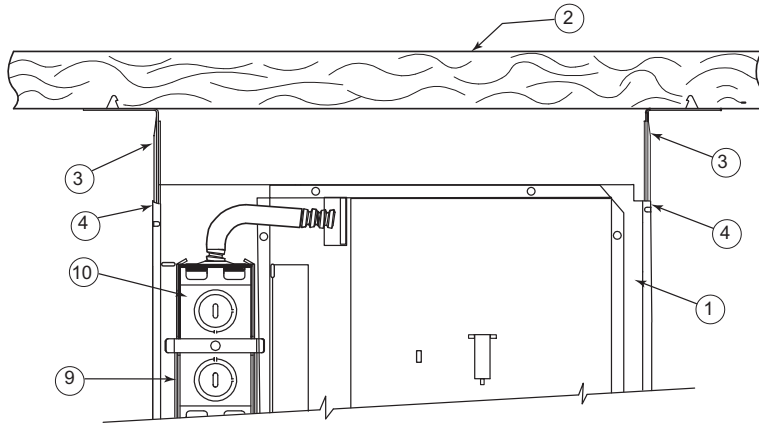


FIG. 1

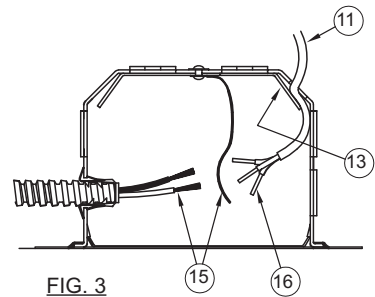
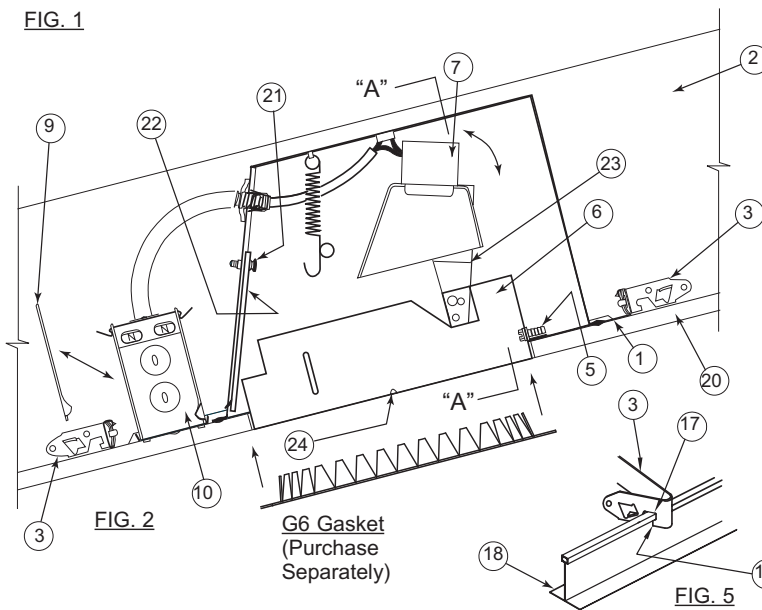
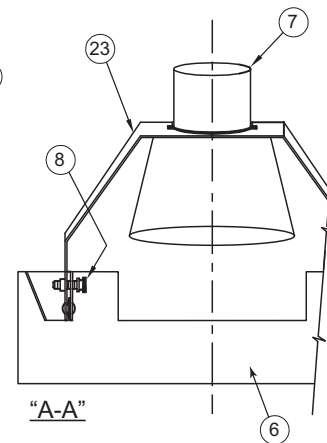


FIG. 3



G6 Gasket  
(Purchase Separately)

FIG. 2



\* Always install with J-Box in elevated position as displayed to ensure proper position.

FIG. 5

Follow instructions carefully. Be sure electricity is OFF before starting installation.

### INSTALLATION IN WOODEN JOISTS

- 1- Hold plaster frame (1) between wood joists (2) and extend bar hangers (3) to make contact with the joists. Make sure the bottom of the plaster frame (1) is flush and in-line with the bottom edge of the joists. Drive the bar hanger tabs into the joists. Also drive nails into the bar hanger holes for additional support if required. Bar hangers may be bent to fit tight mounting conditions. When fixture is in desired position, Crimp four plaster frame ends (4) with pliers to lock in place. Alignment notches (24) in the bottom of the collar (6) may be used to align fixtures in the ceiling. (See Fig. 1 & 2)
- 2- For ceiling thickness greater than 1/2" inch, loosen collar screws (5) and adjust height of collar (6). Retighten screws to secure in place. (This fixture is suitable for ceilings up to 1 1/2" inch in thickness.) (See Fig. 1 and 2)
- 3- Remove cover plate (9) from junction box (10). Slip type NM cable (Romex) (11) through desired hole in junction box (10). Secure cable (11) with retaining plate (13).
- 4- If other than type NM cable (Romex) is to be used, remove one large knockout at desired location on top or sides of junction box (10). Bring appropriate electrical supply cable into junction box and secure in place with proper UL listed connector (NOT FURNISHED).
- 5- Connect fixture wires (15) to supply wires (16) as shown in wiring diagram. Use UL listed wirenuts (NOT FURNISHED).
- 6- Adjust position of socket (7) by loosening other thumbscrew (8) and rotating socket bracket (23). Retighten screw (8). (See Fig.2)
- 7- To gain access to junction box (10) after ceiling is finished, remove thumbscrew (21) and access door (22) inside of fixture. Junction box cover plate (9) can now be removed for service.

### INSTALLATION IN SUSPENDED CEILINGS

- 8- Slip bar hanger notches (17) (while squeezing ends) down over top edges of "T" bar of ceiling. To secure bar hanger in place squeeze tab (19) against "T" bar with pliers.

### FOR AIR-TIGHT APPLICATIONS

- 9- Fill the space between the collar (6) and ceiling (20) with silicone caulking or use Prescolite G8 Adhesive backed foil gasket to cover opening.
- 10- ONLY install Prescolite trims TSC8BF, TSC8WBF, TSC8C, or TSC8G (PURCHASED SEPARATELY) according to instructions supplied with these trims. Use only lamp types approved for these trims. DO NOT EXCEED MAXIMUM LISTED WATTAGES.

Ceiling Opening is to be 8 3/4" Dia.

