

**IMPORTANT SAFETY INFORMATION. READ AND FOLLOW ALL SAFETY INSTRUCTIONS.** Follow label information and instructions concerning Wet or Damp Locations, installation near combustible materials, insulation, building materials, and proper lamping. Do not install in areas subject to combustible vapors or gases. Before wiring to power supply and during servicing or relamping, turn off power at fuse or circuit breaker. **All servicing or relamping must be performed by qualified service personnel. Product must be grounded to avoid potential electric shock or other potential hazard. Product must be mounted in locations and at heights and in a manner consistent with its intended use, and in compliance with the National Electrical Code and local building codes.** The use of accessory equipment not recommended by the manufacturer or installed contrary to instructions may cause an unsafe condition. Do not block light emanating from product in whole or part, as this may cause an unsafe condition. Do not allow items such as drapes, curtains, screens or the like to come into contact with the product or to block light from the product, as this may cause an unsafe condition.

## INSTALLATION INSTRUCTIONS 4C2, 4B2, 4P2, 4S2 REFLECTOR

### A. Lamp Adjustment Prior To Trim Installation:

1. Loosen horizontal and vertical locking thumbscrews as shown. (1) and (2)
2. Turn power on.
3. Remove Lamp Holder (3). Install lamp into Socket (4). Re-install Lamp Holder into Lamp Mounting Plate (5).
4. Rotate Lamp Adjusting Mechanism (6) to desired vertical angle and horizontal position by inserting a standard screwdriver into slots as shown. (6) NOTE: Vertical increment indicator numbers can be used to pre-adjust the vertical angle if desired.

### B. Trim Installation:

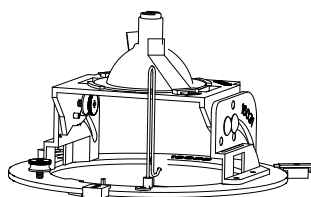
1. Remove screw (10), pull Safety Cable (7) through opening in Plaster Frame and attach to Trim as shown using screw (10).
2. Squeeze the two Torsion Springs (8) together and insert ends into slots on both Brackets (9) as shown.
3. Push Trim towards ceiling until the Torsion Springs force the Trim against the ceiling line.

### C. Final Adjustment:

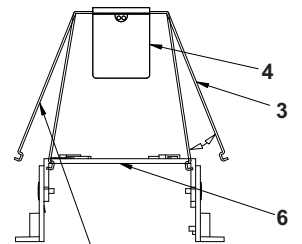
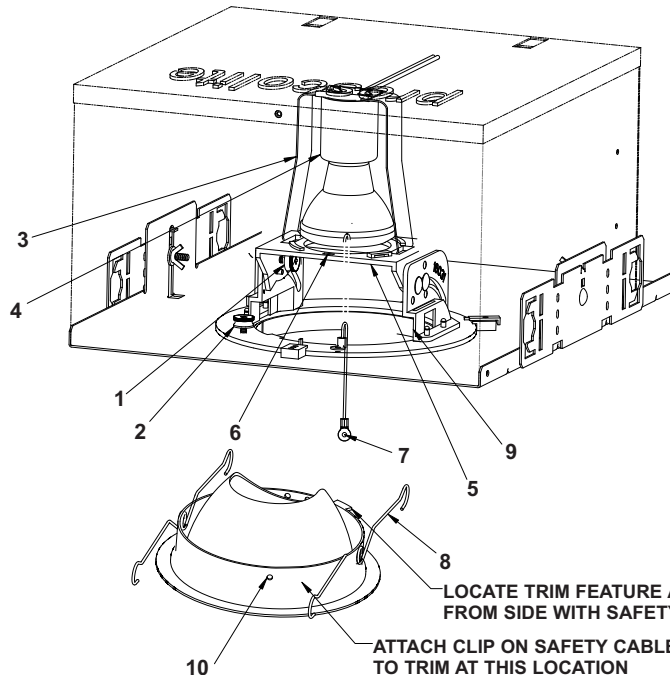
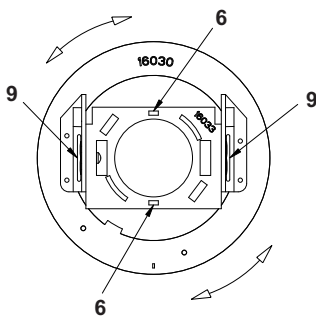
1. Make final vertical adjustment using screwdriver as described above.
2. Make final horizontal adjustment by holding outer flange on Trim and rotating horizontally.  
NOTE: If necessary, pull the flange away from the ceiling slightly before rotating.

### D. Locking Vertical and Horizontal Aim:

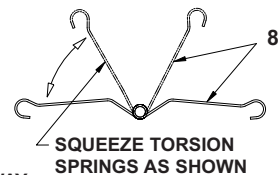
- NOTE: Turn power off and allow lamp to cool if necessary.
1. Pull Trim away from ceiling, reach into housing and rotate two Thumb Screws (1) and (2), clockwise to lock in place.
  2. Push trim back towards ceiling until seated against ceiling.



THIS VIEW SHOWN FOR USE WITH AR70 LAMP



SQUEEZE SPRING TOGETHER AS SHOWN



SQUEEZE TORSION SPRINGS AS SHOWN

