

IMPORTANT SAFETY INFORMATION. READ AND FOLLOW ALL SAFETY INSTRUCTIONS. Follow label information and instructions concerning Wet or Damp Locations, installation near combustible materials, insulation, building materials, and proper lamping. Do not install in areas subject to combustible vapors or gases. Before wiring to power supply and during servicing or relamping, turn off power at fuse or circuit breaker. **All servicing or relamping must be performed by qualified service personnel. Product must be grounded to avoid potential electric shock or other potential hazard. Product must be mounted in locations and at heights and in a manner consistent with its intended use, and in compliance with the National Electrical Code and local building codes.** The use of accessory equipment not recommended by the manufacturer or installed contrary to instructions may cause an unsafe condition. Do not block light emanating from product in whole or part, as this may cause an unsafe condition. Do not allow items such as drapes, curtains, screens or the like to come into contact with the product or to block light from the product, as this may cause an unsafe condition.

INSTALLATION INSTRUCTIONS 6W4, 6W4ST TRIM

NOTE: Vertical angle must be positioned at 20 degrees as described below for optics to perform as required.

A. Lamp Adjustment Prior To Trim Installation:

1. Loosen horizontal and vertical locking Thumbscrews as shown, (1) & (2).
2. Attach two terminals (3) to lamp using screws provided with lamp. Install lamp into Lamp Plate (5) by centering in between two spring clips.
3. Turn power on.
4. Rotate Lamp Plate (5) to 20 degrees vertical angle by inserting a standard screwdriver into slots (4) as shown and lock vertical locking Thumbscrew (2).

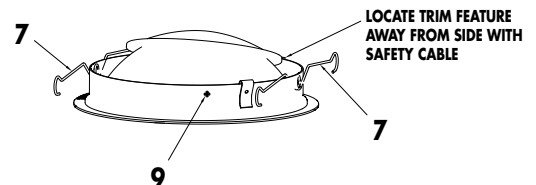
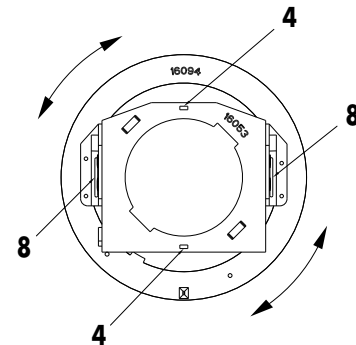
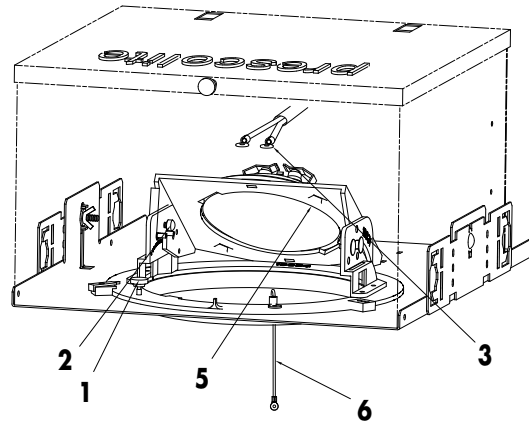
NOTE: Vertical increment indicator numbers can be used to pre-adjust the vertical angle if desired.

B. Trim Installation:

1. Remove Screw (9), pull Safety Cable (6) through opening in Plaster Frame and attach to Trim as shown using screw (9).
2. Squeeze the two Torsion Springs (7) together and insert ends into slots on both Brackets (8) as shown.
3. Push Trim towards ceiling until the Torsion Springs force the Trim against the ceiling line.

C. Final Adjustment:

1. Make final horizontal adjustment by holding outer flange on Trim and rotating horizontally. **NOTE: If necessary, pull the flange away from the ceiling slightly before rotating.**
2. Push Trim back towards ceiling until seated against ceiling.



CAUTION: DO NOT ATTEMPT TO MODIFY OR REWIRE FACTORY-INSTALLED WIRING ON THE FIXTURE. SAFETY AND PROPER OPERATION OF THE FIXTURE DEPEND ON THE INTEGRITY OF THE WIRING.



Hubbell Lighting, Inc.

701 Millennium Boulevard • Greenville, SC 29607
With representatives offices in principal cities throughout North America.
Copyright 2007, 06/07, All Rights Reserved - Printed in U.S.A.

