

IMPORTANT SAFETY INFORMATION. READ AND FOLLOW ALL SAFETY INSTRUCTIONS. Follow label information and instructions concerning Wet or Damp Locations, installation near combustible materials, insulation, building materials, and proper lamping. Do not install in areas subject to combustible vapors or gases. Before wiring to power supply and during servicing or relamping, turn off power at fuse or circuit breaker. All servicing or relamping must be performed by qualified service personnel. Product must be grounded to avoid potential electric shock or other potential hazard. Product must be mounted in locations and at heights and in a manner consistent with its intended use, and in compliance with the National Electrical Code and local building codes. The use of accessory equipment not recommended by the manufacturer or installed contrary to instructions may cause an unsafe condition. Do not block light emanating from product in whole or part, as this may cause an unsafe condition. Do not allow items such as drapes, curtains, screens or the like to come into contact with the product or to block light from the product, as this may cause an unsafe condition.

# INSTALLATION INSTRUCTIONS

## BX4-120

**RISK OF FIRE:** Recessed portions of recessed housing, other than at points of support, shall be spaced at least 1/2 inch from combustible material. Thermal insulation shall not be installed within (3) inches of recessed housing or junction box, and shall not be installed above the fixture as to entrap heat and prevent the free circulation of air.

**CAUTION:** To complete the installation, choose only a UL listed Prescolite trim from the label (1) inside the housing. The use of any trim not listed in this fixture is a violation of N.E.C. article 110-3 (B) and voids all warranties.

Follow this instruction sheet carefully. Be sure electricity is OFF before starting installation.

1. For joist installation: Use the centering notches (2) located on the plaster frame (3) to position the fixture. Extend the hanger bars (4) and position the alignment tabs (5) underneath the support joist (6) (Fig.2). Drive the affixed fastener (7) into the support joist (6) to secure the housing. Drive additional fasteners through holes (8) in hanger bars (4) for alternate support as needed (Fig.2).
2. For suspended ceilings: Using a flat head screwdriver or other tool, bend the integral t-bar mounting tabs (9) downward to a vertical position (Fig.3). Position the housing over the inverted t-bar (10) (Fig.4). Secure housing to support structure with tie wire (supplied by others) in the holes supplied (8). Secure the housing to the inverted t-bar with sheetmetal screws (supplied by others) in the holes supplied (11).
3. Locate housing along hanger bar in desired position and, using pliers, squeeze the 4 locking tabs (12) on the plaster frame (3) tightly over the bars to prevent further housing movement (Fig.4). Bar hangers (4) may be installed in alternate slots (13) if perpendicular orientation is desired.
4. As desired, hanger bars (4) may be shortened to fit in narrow joist spacings by breaking at the score lines (14) provided (Fig. 5).
5. Unsnap junction box cover (15) by lifting the leaf spring (16).
6. Run supply wires through UL listed connectors (supplied by others) in one of the four pryouts (17) on the junction box (18) or type NM cable (ROMEX) through an opening above the wire retaining plate (19). Connect wires (20) as shown in Fig. 7. Replace cover (15).
7. Select a trim from the wattage label inside the housing. Use only lamp types and wattages approved for the trim chosen. **DO NOT EXCEED MAXIMUM LISTED WATTAGES!**

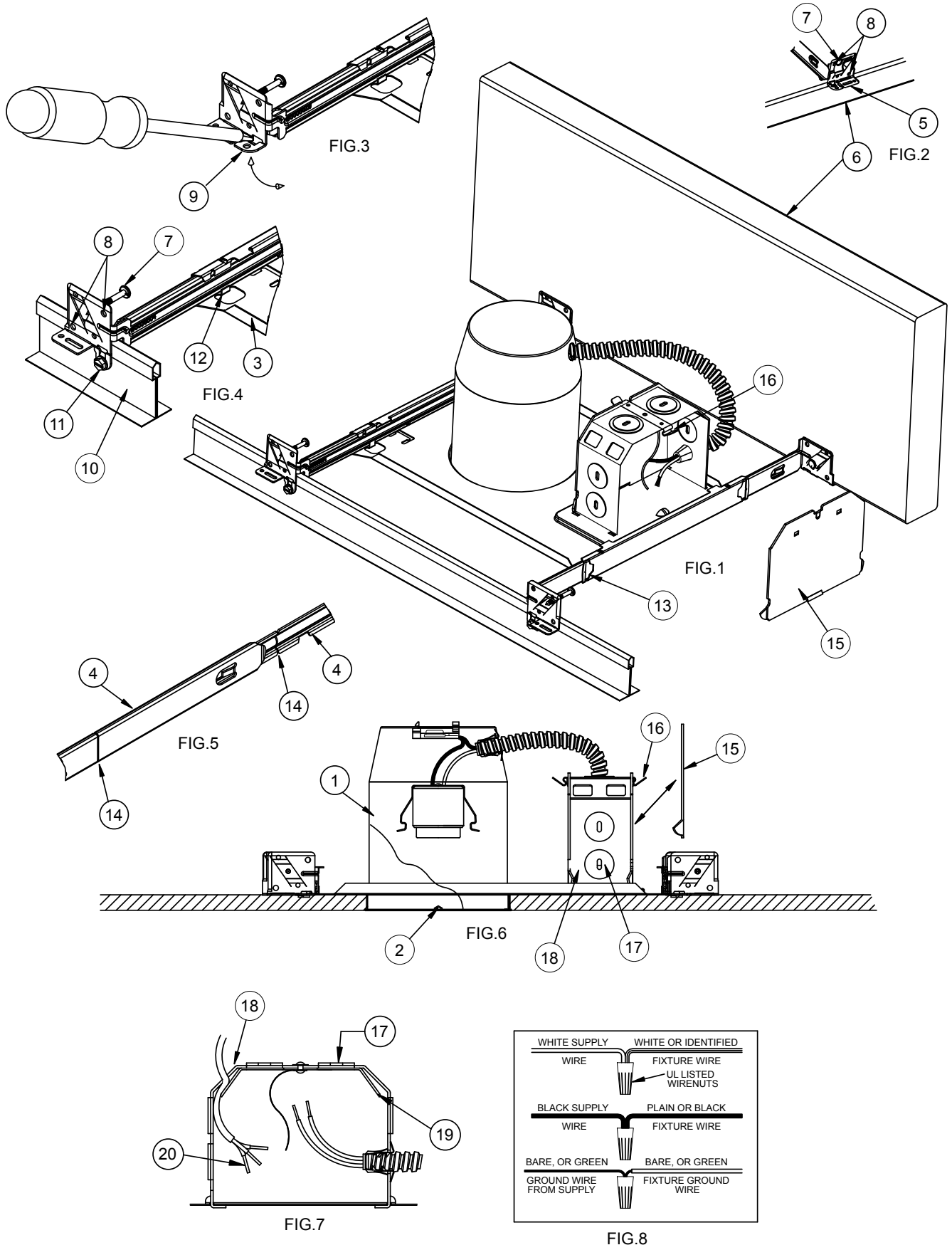
This instruction sheet can also be used as a Paint Shield. Upon completion of installation, crumple this sheet up and insert it in the housing to protect the wattage label from paint spray.

**INSTRUCTION SHEET MUST BE REMOVED FROM FIXTURE PRIOR TO ENERGIZING.**



# Instructions Sheet

(Ceiling opening is to be 4-3/8" dia.)



www.prescolite.com

Prescolite TollFree Technical Support 1.888.PRS.4TEC

Hours: 8am - 5pm ET



Hubbell Lighting, Inc.

101 Corporate Drive • Spartanburg, SC 29303  
 With representatives offices in principal cities throughout North America.  
 Copyright 2006, 1/07, All Rights Reserved - Printed in U.S.A.

