

IMPORTANT SAFETY INFORMATION. READ AND FOLLOW ALL SAFETY INSTRUCTIONS. Follow label information and instructions concerning Wet or Damp Locations, installation near combustible materials, insulation, building materials, and proper lamping. Do not install in areas subject to combustible vapors or gases. Before wiring to power supply and during servicing or relamping, turn off power at fuse or circuit breaker. All servicing or relamping must be performed by qualified service personnel. Product must be grounded to avoid potential electric shock or other potential hazard. Product must be mounted in locations and at heights and in a manner consistent with its intended use, and in compliance with the National Electrical Code and local building codes. The use of accessory equipment not recommended by the manufacturer or installed contrary to instructions may cause an unsafe condition. Do not block light emanating from product in whole or part, as this may cause an unsafe condition. Do not allow items such as drapes, curtains, screens or the like to come into contact with the product or to block light from the product, as this may cause an unsafe condition.

INSTALLATION INSTRUCTIONS IBXHW

WARNING: Thermal insulation may be installed in direct contact with the fixture, but DO NOT install insulation in excess of eight inches deep above fixture. Greater depth may cause the thermal protector to cycle the fixture on or off.

WARNING: Use only those trims, lamps, and maximum wattages proper for this fixture, as indicated on the label within the fixture (20) (Fig.6).

WARNING: National Electrical Code, Article 110-3 (b), states that "Listed or labeled equipment shall be used or installed in accordance with any instructions included in the listing or labeling". Use only Prescolite UL listed trims. Use of other trims not listed in this fixture, including those that are UL classified, is a violation of N.E.C. 110-3 (b) and voids all warranties.

WARNING: If any special control devices are used with this fixture, follow the instructions carefully to assure full compliance with N.E.C. requirements. If there are any questions, contact a qualified electrical contractor.

1. For joist installation: Extend the hanger bars (1) and position the alignment tabs (2) underneath the support joist (3) (Fig.2). Drive the affixed fastener (4) into the support joist (3) to secure the housing. Drive additional fasteners (supplied by others) through holes in hanger bars (5) for alternate support as needed (Fig.2).
2. For suspended ceilings: Using a flat head screwdriver or other tool, bend the integral t-bar mounting tabs (6) downward to a vertical position (Fig.3). Position the housing over the inverted t-bar (7) (Fig.4). Secure housing to support structure with tie wire (supplied by others) in the holes supplied (5). Secure the housing to the inverted t-bar with sheetmetal screws (supplied by others) in the holes supplied (8).
3. Locate housing along hanger bar in desired position and, using pliers, crimp the corners (9) of the end bracket (10) tightly over the bars to prevent further housing movement (Fig.3). Set screws (26) are provided that can be tightened to lock the housing on the hanger bars.
4. As desired, hanger bars (1) may be shortened to fit in narrow joist spacings by breaking at the score lines (11) provided (Fig. 5).
5. Unsnap junction box cover (12) by lifting the leaf spring (13).
6. Run supply wires through UL listed connectors (supplied by others) in one of the five pryouts (14) on the junction box (15) or type NM cable (ROMEX) through an opening above the wire retaining plate (16) (Fig.7). Connect wires (17) as shown in Fig.8. Replace cover (12).
8. FOR AIR-TIGHT APPLICATIONS: This Prescolite product is Air-Tight approved per ASTM E283 testing standards and complies with Washington State Energy Code requirements. To complete the installation of this Air-Tight product, the opening between the ceiling (18) and housing edge (19) must be sealed by the installer using silicone caulking, tape, or any other means acceptable to the local code official. Prescolite accessory gasket kit G6 (purchased separately) can be used for this purpose (Fig.6).
9. ONLY install Prescolite trims approved for use with this housing. Select a trim from the wattage label (20) inside the housing. Use only lamp types and wattages approved for the trim chosen. **DO NOT EXCEED MAXIMUM LISTED WATTAGES!**
10. To gain access to junction box (15) after ceiling is finished, remove three screws (21) that hold the housing (22) in place. Lower the housing. Remove screw (23) and access door (24) located inside housing. Junction box cover plate (25) can now be removed for service.

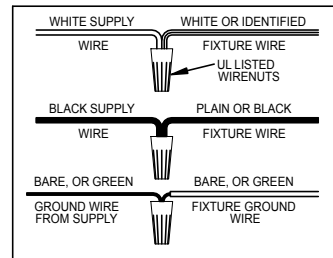
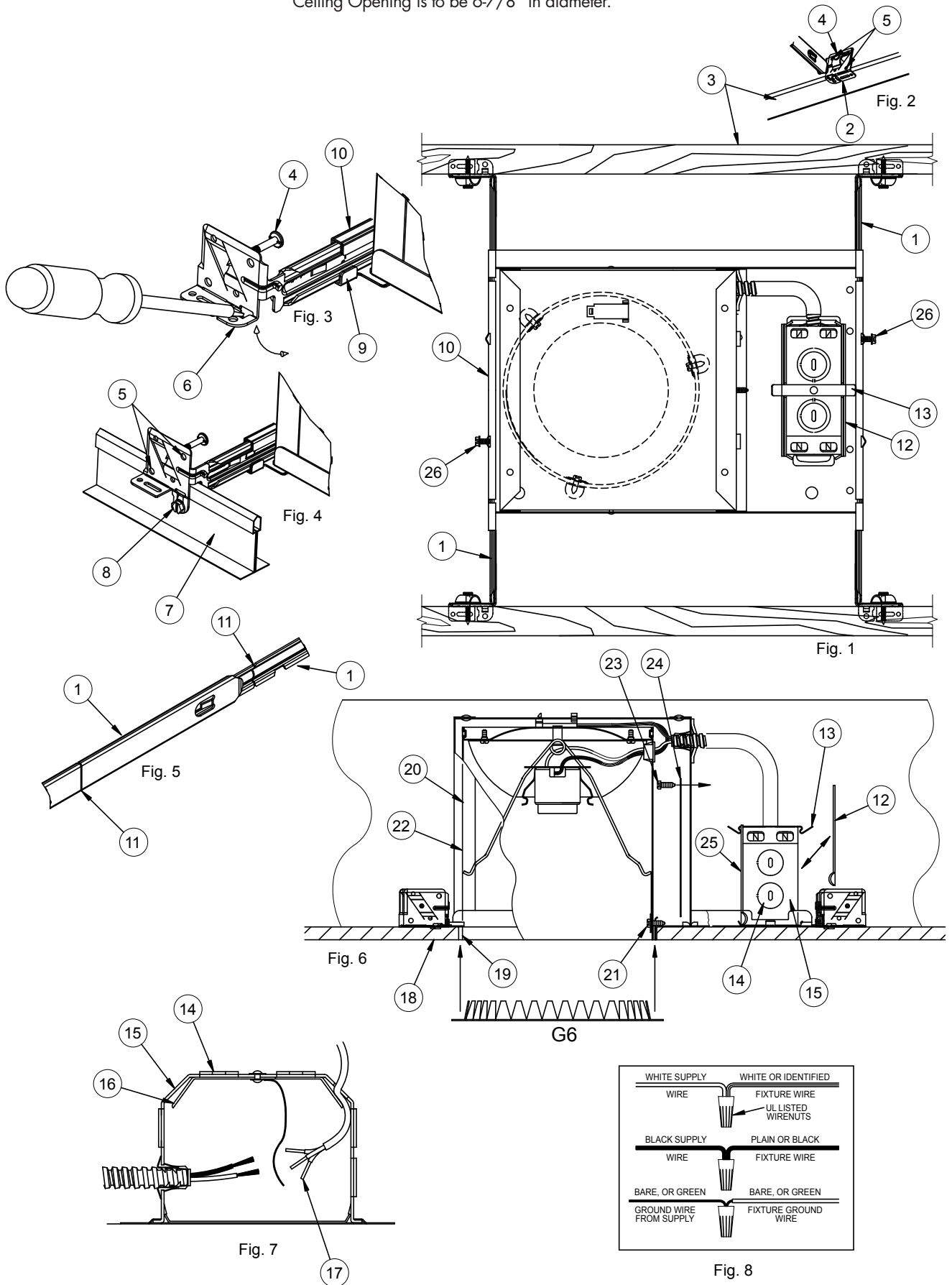
This instruction sheet can also be used as a Paint Shield. Upon completion of installation, crumple this sheet up and insert it in the housing to protect the wattage label from paint spray.

INTRUCTION SHEET MUST BE REMOVED FROM FIXTURE PRIOR TO ENERGIZING.



Ceiling Opening is to be 6-7/8" in diameter.

Instructions Sheet



101 Corporate Drive • Spartanburg, SC 29303
 With representatives offices in principal cities throughout North America.
 Copyright 2006, 1/07, All Rights Reserved - Printed in U.S.A.

