

IMPORTANT SAFETY INFORMATION. READ AND FOLLOW ALL SAFETY INSTRUCTIONS. Follow label information and instructions concerning Wet or Damp Locations, installation near combustible materials, insulation, building materials, and proper lamping. Do not install in areas subject to combustible vapors or gases. Before wiring to power supply and during servicing or relamping, turn off power at fuse or circuit breaker. **All servicing or relamping must be performed by qualified service personnel. Product must be grounded to avoid potential electric shock or other potential hazard. Product must be mounted in locations and at heights and in a manner consistent with its intended use, and in compliance with the National Electrical Code and local codes.** The use of accessory equipment not recommended by the manufacturer or installed contrary to instructions may cause an unsafe condition. Do not block light emanating from product in whole or part, as this may cause an unsafe condition. Do not allow items such as drapes, curtains, screens or the like to come into contact with the product or to block light from the product, as this may cause an unsafe condition.

WARNING 1: - If any special control devices are used with this fixture, follow the instructions carefully to assure full compliance with N.E.C. requirements. If there are any questions, contact a qualified electrical contractor.

WARNING 2: Use only those trims, lamps and maximum wattages proper for this fixture, as indicated on the label within the fixture housing.

WARNING 3: The National Electrical Code, Article 110-3 (b), states that "Listed or Labeled equipment shall be used or installed in accordance with any instructions included in the listing or labeling". Use only with Prescolite UL listed trims. Use of other trims not listed in this fixture, including those that are UL classified, is a violation of N.E.C. 110-3 (b) and voids all warranties.

WARNING 4: FT6 and FT6CF2H are type non-ic fixtures. Insulation must be kept at least 3" from fixture sides to prevent lamp cycling.

INSTALLATION INSTRUCTIONS FT6/FT6CF2H

When installed according to the instructions provided and as specified in volume 1 of the UL Fire Resistance Directory, Prescolite FT6 and FT6CF2H luminaires may be used in fire resistance Floor-Ceiling and Roof-Ceiling designs. See File under Fire Classified Directory CDHW.

Follow this Instruction Sheet Carefully. Be sure Electricity is OFF before starting Installation.

INSTALLATION IN WOOD JOISTS

1. Slip Bar Hangers (1) through slots in Plaster Frame (2). Hold Frame in desired position between Joists (3) and drive Bar Hanger Tabs (4) into Joists. Use a minimum 1" lg. steel Nail or Screw (26) through holes in Bar Hanger ends for additional support. Tighten bar hanger Locking Screws (5) in ends of Plaster Frame to prevent lateral movement of Plaster Frame. (See Fig. 1 and 2)
2. Remove Cover Plate (9) from Junction Box (10). Slip Type NM Cable (Romex) (11) through desired hole in Junction Box (10) above Retaining Plate (13). Cable (11) is secured by Retaining Plate (13). (See Fig. 3)
3. If other than Type NM Cable (Romex) is to be used, remove one Large Knockout (15) at desired location on top or sides of Junction Box (10). Bring appropriate Electrical Supply Cable into Junction Box and secure in place with proper UL listed Connector (NOT FURNISHED).
4. Connect Fixture Wires (27) to Supply Wires (16) as shown in Wiring Diagram. Use UL listed Wirenuts (NOT FURNISHED).
5. After ceiling is finished lower Housing (6) until flush with Ceiling.
6. To gain access to Junction Box (10), after ceiling is finished, remove three Screws (24) that hold Housing (6) in place. Lower the Housing. Remove Screw (21) and Access Door (22) located inside Fixture. Junction Box Cover Plate (9) can now be removed for service.
7. Plaster Frame (2) and Gasket (25) must be in contact with Ceiling (23).
8. If joists are spaced greater than 16 inches on center, 2x4 (4 inch dimension vertical) or greater lumber shall be used to span between joists at the plane of the ceiling to create a 16 inch on center space to mount the fixture as shown in Fig. 4.

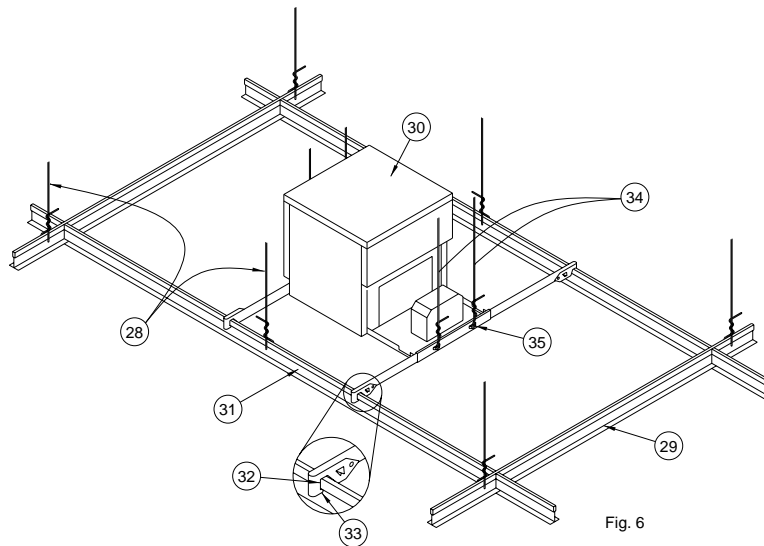
(Ceiling opening is to be 6 7/8" Diam.)

This instruction sheet is also intended to be used as a paint shield. Upon completion of installation, crumple this sheet up and insert it up into the housing to protect the socket and labels from being spray painted.



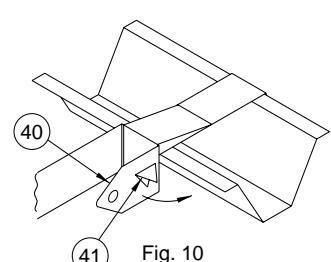
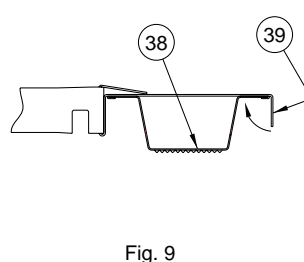
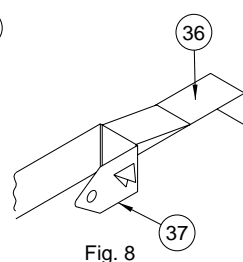
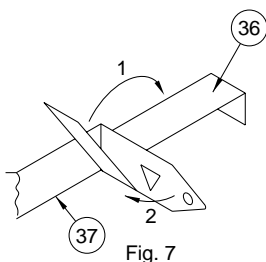
INSTALLATION INSTRUCTIONS FOR FIRE RATED APPLICATIONS USING T-BAR

1. Install No. 12 SWG Galv. Steel Hanger Wire (28) on Main Runners (29) at four corners of grid module containing Luminaire (30). When Main Runners are spaced greater than 24 in. on center, Cross Tees (31) forming sides of gridmodule containing Luminaire to be supported by Steel Hanger Wire at Cross Tee midspan.
2. Place the Luminaire (30) on the ceiling grid with the "T" Bars running through the Hanger Bar Notches (32). Fold the Hanger Bar ends closed to engage the integral Tabs (33). Secure with pliers if necessary.
3. Install two No. 12 SWG Galv. Steel Hanger Wires (34) secured to each end of Luminaire (30) plaster frame at Lanced Openings (35) in hanger bar support channels. Steel Hanger Wires to be installed vertically and secured to structural members of floor or roof assembly.
4. Tighten bar hanger Locking Screws (5) in ends of Plaster Frame (2) to prevent lateral movement of the Frame.
5. See Steps 2 through 6 on Page 1 to complete installation.



Installation Instructions for the Prescolite FTFCC Furring Channel Clips (included) to be used in fire rated applications using Furring Channels

1. Attach one Furring Channel Bracket (36) to each Hanger Bar (37) as shown in Fig. 7 and 8. CAUTION: Maintain a firm hold on Luminaire until Steps 2 and 3 are complete.
2. Lift Luminaire (30) to position Furring Channel Brackets over Furring Channels (38) and secure in place by bending Tabs (39) over as shown in Fig. 9.
3. Once all Brackets are in place bend Hanger Bar End (40) around to secure Brackets to the Channels as shown in Figure 10. NOTE: Nailer Tab (41) should lodge under edge of Furring Channel.
4. Tighten bar hanger Locking Screws (5) in ends of Plaster Frame (2) to prevent lateral movement of the Frame.
5. Install two No. 12 SWG Galv. Steel Hanger Wires (34) secured to each end of Luminaire (30) plaster frame at Lanced Openings (35) in hanger bar support channels. Steel Hanger Wires to be installed vertically and secured to structural members of floor or roof assembly. (See Fig. 6)
6. See Steps 2 through 6 on Page 1 to complete installation.



Instructions Sheet

Part No159790000

www.prescolite.com

• Prescolite TollFree Technical Support 1.888.PRS.4TEC •

Hours: 8am - 5pm ET

