

FEATURES

- Light Engine utilizes Philips Fortimo remote phosphor technology for controlled color consistency fixture to fixture
- Universal 120-277V high efficiency LED driver with 0-10V dimming standard
- 50 Lumens per watt delivered
- Glare free optical control
- Shipped with pre-installed Light Commercial bar hangers. (See below for optional Commercial grade bar hangers)
- Minimum 50,000 hour at 70% lumen maintenance system life
- Photometrics tested per IESNA-LM-79-2008 standards
- Non-IC rated. Suitable for wet locations and through wiring (Damp location for EM)
- Available with exclusive wiHUBB technology preinstalled
- Luminaires are certified by a National Recognized Testing Lab (NRTL), either UL or CSA.



LED

ORDERING INFORMATION

EXAMPLE: LF6LED-6LFLED5 30K WH WT

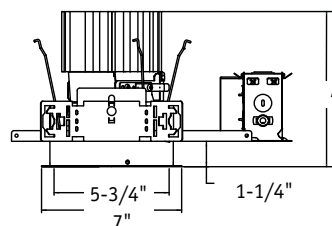
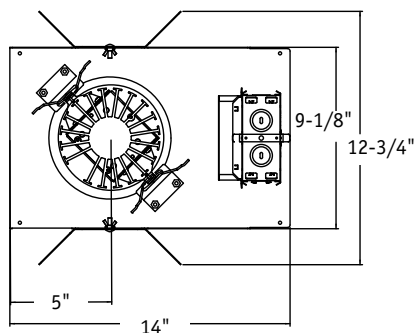
LF6LED		-	6LFLED5	30K		WH	WT	
HOUSING LF6LED 6" High Efficacy LED Housing with 0-10V Dimming to 10%	OPTIONS WW ^{2,7} Wall Wash EM ^{3,6} Emergency Battery Pack with integral test switch and indicator light WIH wiHUBB® Enabled		TRIM 6LFLED5 ⁴ 6" Open Reflector/Light Engine Assembly, Nominal 18 watt and 1100 lumen module 6LFLED7 ⁵ 6" Open Reflector/Light Engine Assembly, Nominal 34 watt and 2000 lumen module	LED COLOR TEMP 30K 3000 Kelvin, 80 CRI 35K 3500 Kelvin, 80 CRI 40K 4000 Kelvin, 80 CRI	REFLECTOR FINISH Blank Alzak Semi-Diffuse	REFLECTOR COLORS Blank Clear Alzak CG Champagne Gold Alzak BL Black Alzak WE Wheat Alzak LW Light Wheat Alzak PW Pewter Alzak WH ¹ White Paint	REFLECTOR OPTIONS WT White Trim TRG Trim Ring Gasket (factory installed) WW ^{2,7} Wall Wash EM ^{3,6} Emergency Battery Pack with integral test switch and indicator light	ACCESSORIES B24 Set of two(2) 24" bar hangers for T-bar ceilings B6 Set of two (2) bar hangers for ceiling joist up to 24" centers LFSC6 ^{3,7} 6" reflector screw cover LFSC6EM ³ 6" reflector screw cover for EM LG1S ^{7,8} Dual-Lite 100 VA Surface Mount LiteGear Emergency Lighting Inverter LG1R ^{7,8} Dual-Lite 100 VA Recessed Mount LiteGear Emergency Lighting Inverter LG1T ^{7,8} Dual-Lite 100 VA Recessed Ceiling T-Grid Mount LiteGear Emergency Lighting Inverter LG2S ^{7,8} Dual-Lite 250 VA Surface Mount LiteGear Emergency Lighting Inverter
VOLTAGE Blank 120-277V								



*Please refer to specification sheet for wall wash or EM line art.

NOTES

- 1 Requires WT option
- 2 WW option must be on both the housing and the trim
- 3 Not compatible with WW
- 4 Philips Fortimo 1100Lm LED module
- 5 Philips Fortimo 2000Lm LED module
- 6 EM option must be on both the housing and the trim
- 7 Not compatible with EM
- 8 See spec sheet or www.prescolite.com for LiteGear Compatibility Matrix



LF6LED

	A
6LFLED5	6-3/4"
6LFLED7	7-3/4"

*See spec sheet for wall wash and EM dimensional details