

Recessed High Output Step Light

93047CFT32EB

One 26/32/42W Triple Tube
Compact Fluorescent Lamp
Non-IC Rated
120V, 208V, 240V, or 277V

DATE: _____ TYPE: _____

FIRM NAME: _____

PROJECT: _____



For conversion to millimeters,
multiply inches by 25.4
Not to Scale

APPLICATIONS:

Heavy-duty weatherproof recessed wall luminaire provides low glare walk and stairway illumination for nighttime security and orientation around building exteriors.

HOUSING:

Heavy-duty diecast aluminum housing ships complete with gasketed, diecast aluminum splice box with 3 hubs tapped for 1/2" conduit (side and back locations).

FACEPLATE:

Heavy-duty die cast aluminum faceplate with integral cast louvers and sealed tempered clear glass. Faceplates use two stainless steel Allen head fasteners for tamper resistant attachment to housing. Available in black (BL), bronze (BZ), or Prescolite's exclusive Zet (Z, metallic silver) finish.

BALLAST:

One (1) multi-volt (120V thru 277V), multi-watt compact fluorescent class "P" electronic ballast suitable for operating one (1) 26W, 32W or 42W triple tube lamp. Ballast is accessible through the housing for servicing. See reverse side for additional ballast information.

LAMP:

One (1) 26W (GX24q-3 base), 32W (GX24q-3 base), or 42W (GX24q-4 base) 4-pin triple tube compact fluorescent lamp. Lamp furnished by others.

SOCKET:

One (1) injection molded universal socket, GX24q-3, GX24q-4 base is suitable for 26W, 32W or 42W triple tube lamps.

REFLECTOR:

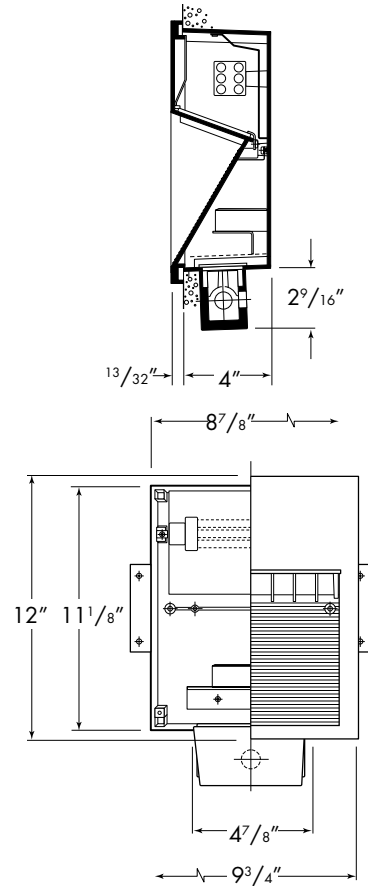
Specular clear Alzak reflector.

INSTALLATION:

Galvanized steel mounting brackets are included.

LABELS:

U.L., CSA approved for wet locations and concrete pour. Suitable for through wiring. Note: Salt air application may cause cast aluminum to oxidize over time. Contact Technical Support for questions. Approved for exterior/interior installations. Non-IC rated. Consult factory for N.Y. City approval. Do not install in brick structures with high calcium mortar.



CATALOG NUMBER:

EXAMPLE: 93047CFT32EBZ

HOUSING

VOLTAGE

FINISH

93047CFT32EB
26, 32, or 42W
triple tube CFL,
Non-IC recessed
high output step light

120V
120 Volt
 277V
277 Volt
 CDN
Canadian Electrical
code compliant
ballast disconnect
 CDN 347
Canadian Electrical
code compliant
ballast disconnect

BL
Black
 BZ
Bronze
 Z
Zet, metallic silver



A Division of Hubbell Lighting, Inc.

In a continuing effort to offer the best product possible we reserve the right to change, without notice, specifications or materials that in our opinion will not alter the function of the product.
Web: www.prescolite.com • Tech Support: (888) 777-4832

LS-012

PHOTOMETRIC DATA

LiteStep Step Light - 93047CFT32EB

BALLAST DATA

	26W		32W		42W	
	120V	277V	120V	277V	120V	277V
Total System Watts	28W	28W	35W	35W	44W	47W
Input Current (Amps)	0.23	0.1	0.29	0.13	0.36	0.17
Input Frequency in Hz	50/60	50/60	50/60	50/60	50/60	50/60
Power Factor	>97%	>97%	>97%	>97%	>97%	>97%
Ballast Factor	>98%	>98%	>98%	>98%	>98%	>98%
Total Harmonic Distortion	<10%	<10%	<10%	<10%	<10%	<10%
Minimum Starting Temp.	-18°C (0°F)	-18°C (0°F)	-18°C (0°F)	-18°C (0°F)	-18°C (0°F)	-18°C (0°F)

LAMP DATA

Rated Watts	26W	32W	42W
Rated Lumens	1800	2400	3600
Design Lumens	1440	1920	2880
Efficacy (LPW)	69	75	76
Rated Life	10,000 hours	10,000 hours	10,000hours
CRI	82	82	82
Min. Starting Temp	0°F	0°F	0°F
Base (4 Pin)	GX24q-3	GX24q-3	GX24q-4

NOTES

Refer to www.prescolite.com for additional photometric tests (IES Files).



Web: www.prescolite.com • Tech Support: (888) 777-4832
701 Millennium Blvd., • Greenville, SC 29607 U.S.A. • Phone (864) 678-1000

Prescolite is a division of Hubbell Lighting, Inc., with representatives' offices throughout North America

Copyright ©2011 Prescolite, All Rights Reserved • Specifications subject to change without notice. • Printed in U.S.A. • LS-012 • 2/15/11



Hubbell Lighting, Inc.