



LED Step Lights

SLLED1 SLLED2 SLLED3

Wet Location and IC Rated
120V or 277V

DATE: _____ TYPE: _____

FIRM NAME: _____

PROJECT: _____



APPLICATIONS:

The LED step light is ideal for a wide variety of interior and exterior applications including commercial, retail and residential applications. Fixture should be installed in applications where ambient temperatures do not exceed 50° C (122°F). Installations in applications that exceed this temperature will result in a reduction of lamp life.

FIXTURE:

SLLED1 – With a modern low profile die cast aluminum face plate, this high output, 10watt LED step light is the ultimate in the LiteStep collection. The highly efficient SLLED1 offers the smoothest and broadest light distribution pattern. **SLLED2** – SLLED2 is LiteStep's premium level and provides a smooth, broad light distribution. Made of modern die cast aluminum, the recessed 10watt LED step light offers energy efficient benefits. Additionally SLLED2 is IP45 rated. **SLLED3** – Offering adequate levels of light distribution, wattage consumption, and efficiency, SLLED3 is the primary level of the LiteStep step lights. SLLED3 is the most economically priced LED steplight. IP56 rated.

HOUSING:

Die cast aluminum housing with either a durable black baked powder coat or clear anodized finish. 1/2" NPT conduit port located on either side of the housing. Silicone gasket ensures a good seal.

TRIM:

SLLED1 and 2 have a die cast aluminum trim and SLLED3 has a stamped aluminum trim with a solite lens and a silicone gasket. Available in Black (BL), White (WH), Zet (Z) or Bronze (BZ).

LED LIGHT ENGINE:

Each array consists of either 6 watt or 10 watt LED modules mounted on a fixed aluminum heat sink to ensure optimal optical performance and 50,000 hour life at 70% lumen maintenance. Available in 5000K and 3500K color temperatures.

LED DRIVER:

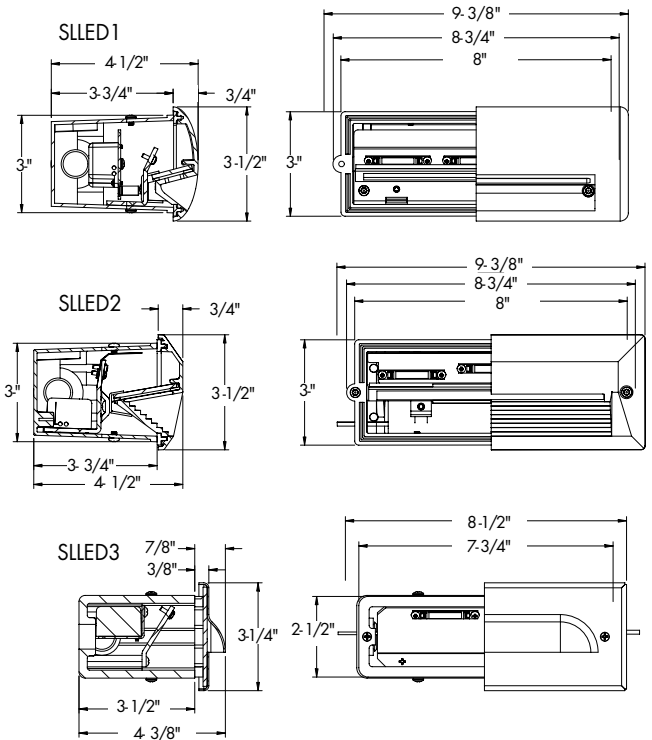
120V or 277V Solid state electronic 350mA constant current FCC class B driver. 50,000 hour minimum anticipated life. Rated for -30°C starting temperature. Driver is accessible through the housing for servicing.

LABELS:

CSA C/US listed. Suitable for wet location and concrete pour. Approved for exterior and interior installations. IC rated. SLLED2 is IP45 and SLLED3 is IP56 rated.

WARRANTY:

3 year warranty
5 year warranty available*
*(see NOTES on page 2)



CATALOG NUMBER: _____

EXAMPLE: SLLED135KBL

HOUSING	LED COLOR TEMP	HOUSING FINISH	HOUSING OPTION	HOUSING ACCESSORIES
<input type="checkbox"/> SLLED1 High output 13watt LED step light	<input type="checkbox"/> 35K 3500 Kelvin <input type="checkbox"/> 50K 5000 Kelvin	<input type="checkbox"/> WH White <input type="checkbox"/> BL Black <input type="checkbox"/> Z Zet <input type="checkbox"/> BZ Bronze	<input type="checkbox"/> Blank 120V <input type="checkbox"/> 277V	<input type="checkbox"/> SLMB Dry wall bar hanger installation kit. <input type="checkbox"/> SLD12CMB Concrete mounting box SLLED1 and SLLED2 <input type="checkbox"/> SLD3CMB Concrete mounting box SLLED3
<input type="checkbox"/> SLLED2 Recessed 13watt LED step light				
<input type="checkbox"/> SLLED3 Residential 9watt LED step light				



In a continuing effort to offer the best product possible we reserve the right to change, without notice, specifications or materials that in our opinion will not alter the function of the product.
Web: www.prescolite.com • Tech Support: (888) 777-4832

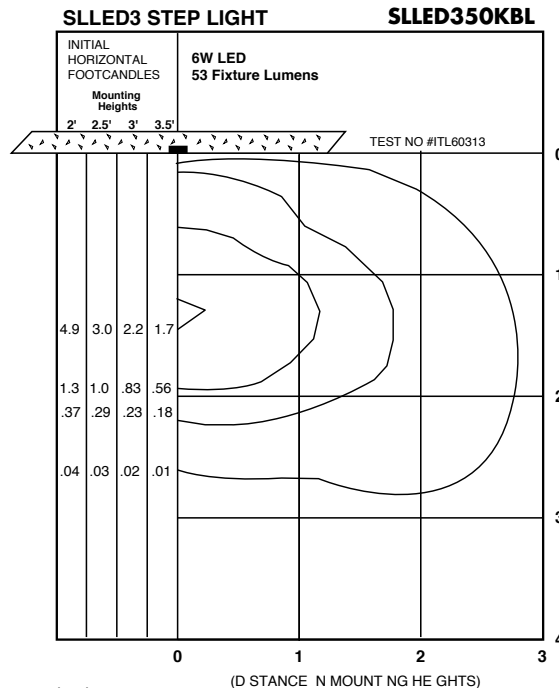
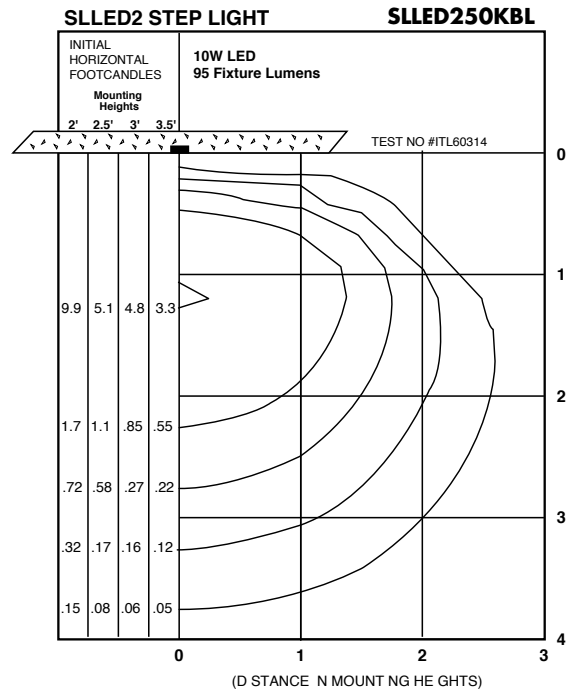
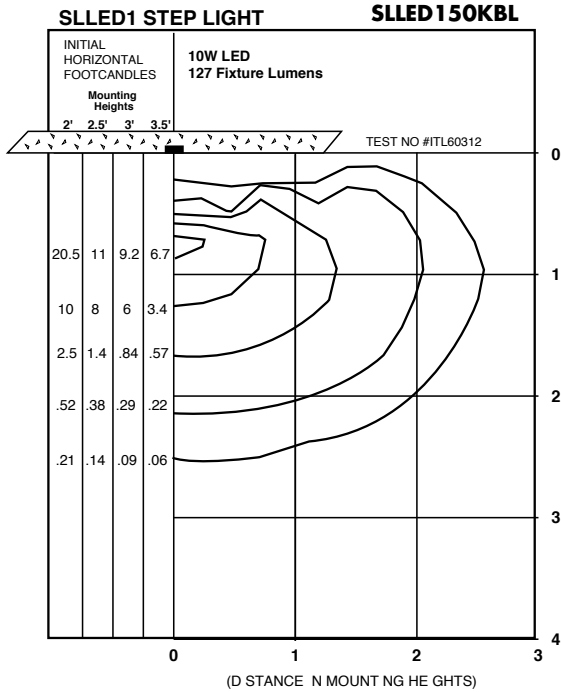
LS-LED-003

PHOTOMETRIC DATA

LiteStep - LED Step Lights

DRIVER DATA Input Parameter	SLED1 & SLED2			SLED3		
	10W			6W		
	Value	Units	Value	Units	Value	Units
Input Voltage	120	277	VAC	120	277	VAC
System Wattage	12.6	12.6	W	8.7	8	W
Input Current	0.15	.15	A	0.14	0.14	A
Frequency	60	60	HZ	60	60	HZ
Power Factor	0.94	0.94	-	0.94	.94	-
Total Harmonic Distortion	<70%	<70%	-	<70%	<70%	-

FIXTURE LUMEN OUTPUT	
Fixture	Lumen Output
SLED150K	127 Lumens
SLED250K	95 Lumens
SLED350K	53 Lumens



NOTES: Refer to www.prescolite.com for additional photometric tests (IES Files).

- 5 year warranty requires product registration. Warranty limited to repair and replacement of defective parts of the LED system and does not include labor or installation after first year. See www.prescolite.com for details.
- Operation in ambient temperatures higher than those specified may shorten life and will void warranty.

Tested in accordance with IESNA LM-79 2008 standards



Web: www.prescolite.com • Tech Support: (888) 777-4832
 701 Millennium Boulevard • Greenville, SC 29607 U.S.A. • Phone (864) 678-1000
 Copyright ©2011 Prescolite, Inc., a division of Hubbell Lighting, Inc. All Rights Reserved
 Specifications subject to change without notice. • Printed in U.S.A. • LS-LED-003 • 2/21/11



Hubbell Lighting, Inc.