

**IMPORTANT SAFETY INFORMATION. READ AND FOLLOW ALL SAFETY INSTRUCTIONS.** Follow label information and instructions concerning Wet or Damp Locations, installation near combustible materials, insulation, building materials, and proper lamping. Do not install in areas subject to combustible vapors or gases. Before wiring to power supply and during servicing or relamping, turn off power at fuse or circuit breaker. **All servicing or relamping must be performed by qualified service personnel. Product must be grounded to avoid potential electric shock or other potential hazard. Product must be mounted in locations and at heights and in a manner consistent with its intended use, and in compliance with the National Electrical Code and local codes.** The use of accessory equipment not recommended by the manufacturer or installed contrary to instructions may cause an unsafe condition. Do not block light emanating from product in whole or part, as this may cause an unsafe condition. Do not allow items such as drapes, curtains, screens or the like to come into contact with the product or to block light from the product, as this may cause an unsafe condition.

## INSTALLATION INSTRUCTIONS 1053 RECESSED DOWNLIGHT

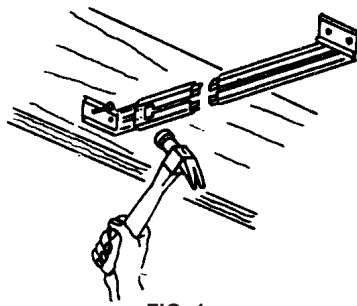


FIG. 1

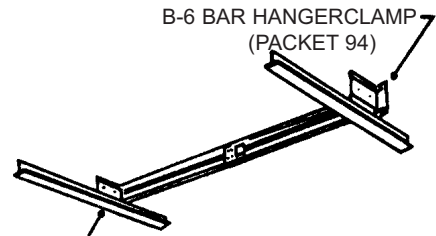


FIG. 2

SUSPENDED CEILING SUPPORT  
(INVERTED 'T' BAR)

### FIXTURE INSTALLATION

1. Nail one B-6 bar hanger to ceiling joist, FIG. 1, or attach to suspended ceiling support member with clamps in Packet 94. Standard 1 1/2" carrier channels can be used to install fixture.
2. Assemble other bar hanger to fixture by placing in "C" bracket and prying locking tabs on "C" bracket against bar hanger.(FIG. 3)
3. To install fixture, position "C" bracket on fixture over the bar hanger previously installed in ceiling. (FIG. 4)
4. Attach bar hanger on fixture to ceiling structure.
5. Position fixture and lock in place by prying locking tabs on "C" bracket against bar hanger. (FIG. 3)
6. To adjust fixture for varying ceiling thickness, loosen screws retaining "C" brackets to fixture, raise or lower fixture as required and tighten screws.
7. Remove J-Box cover plate. Remove appropriate knockout and assemble appropriate connector for the supply wire used. Connect ground wires to green ground leads. Connect white (common) to white (leads). Connect power supply (line) to black lead(s). Reinstall J-Box cover.

**WARNING: DO NOT pinch wires between J-Box/ballast cover and J-Box. Consult a Qualified Electrician for all other options that require other wiring configurations.**

8. Finish Ceiling: Wet or dry type ceiling with trim ring. FIG. 5  
Wet plaster finish only for trimless. FIG. 4 & 5

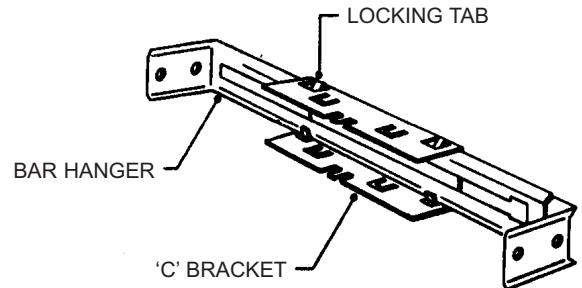


FIG. 3

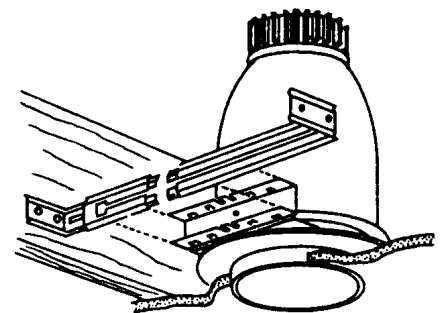
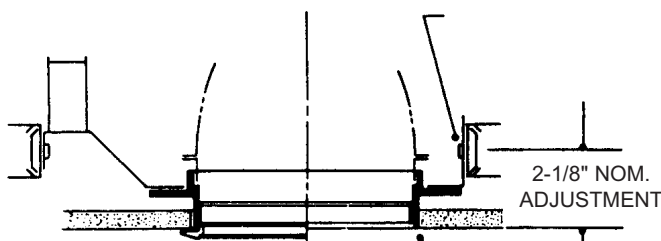


FIG. 4



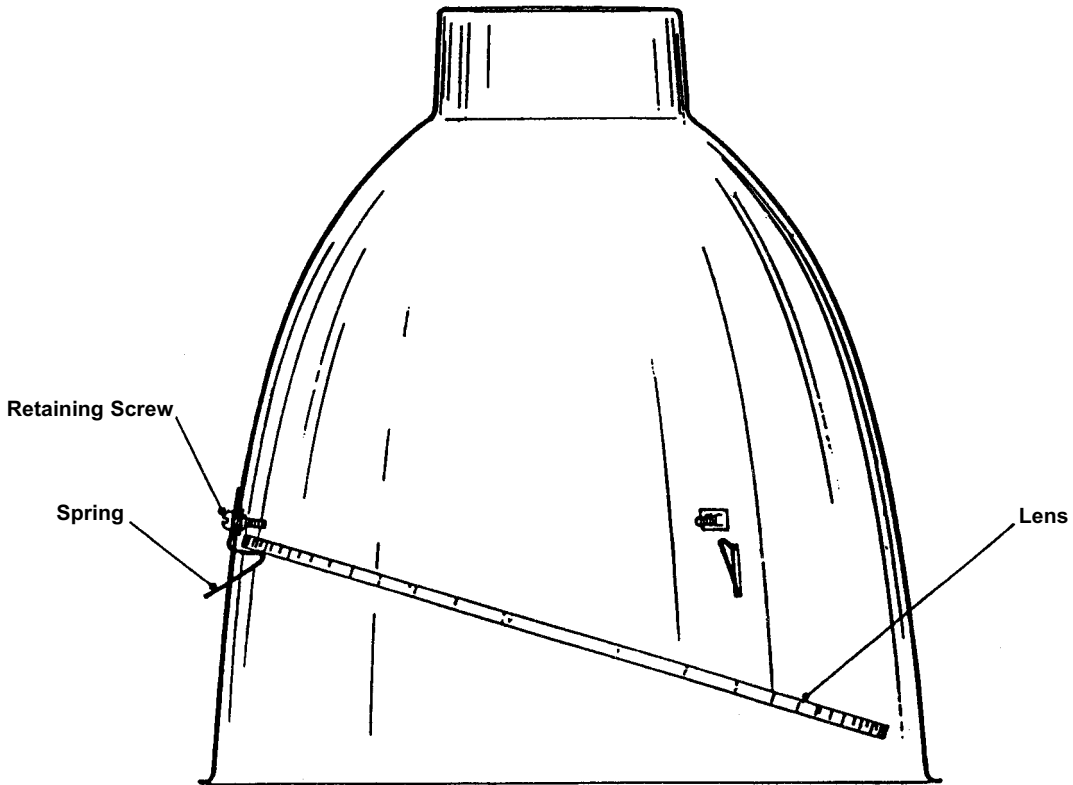
DRY CEILING WITH TRIM RING. CUT CLEARANCE HOLE. USE PLASTER FLANGE FOR TEMPLATE

WET CEILING WITHOUT TRIM RING. PLASTER TO EDGE OF PLASTER FLANGE.

FIG. 5



# Instructions Sheet



To install the lens into the reflector, place the lens edge between one of three springs and corresponding retaining screw as shown, then push the lens up against the other two springs and seat it in place. The lens is properly installed when captured between the three springs and the three retaining screws.



101 Corporate Drive • Spartanburg, SC 29303  
 With representatives offices in principal cities throughout North America.  
 Copyright 2005, 08/05 revision, All Rights Reserved - Printed in U.S.A.