

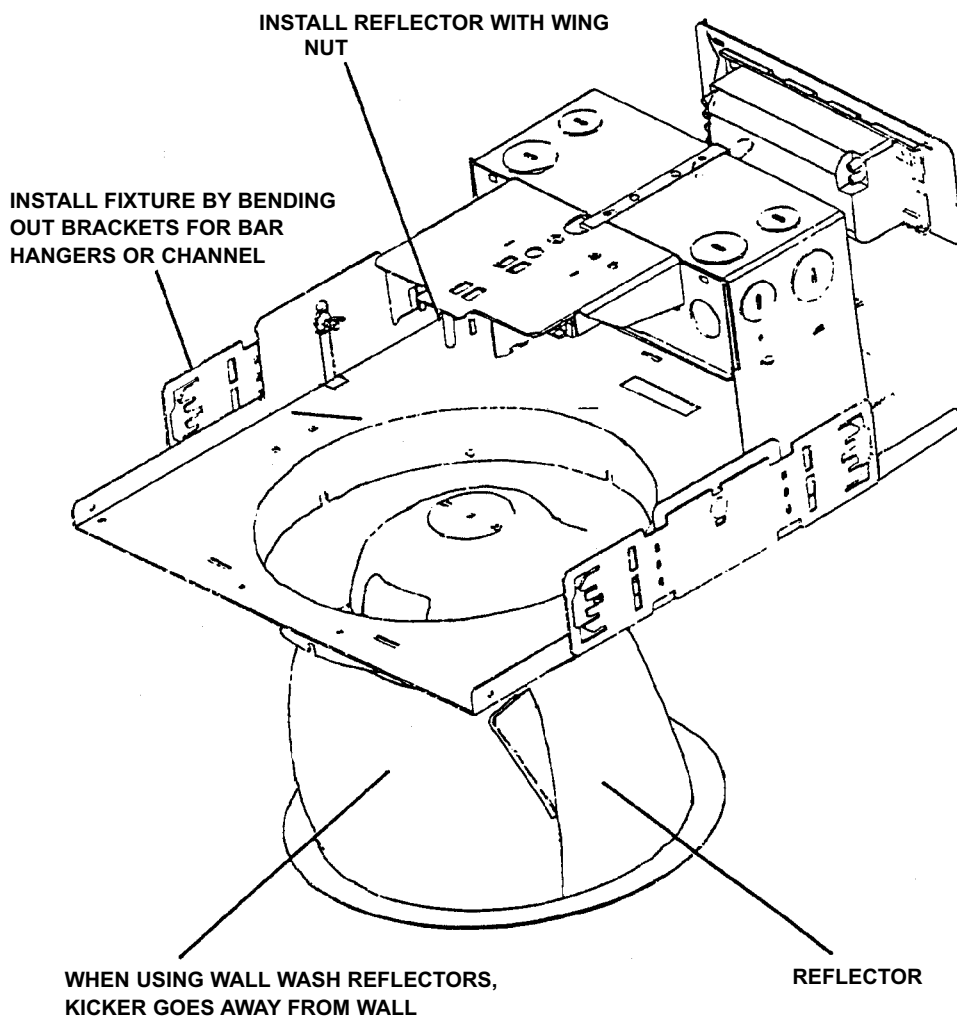
**IMPORTANT SAFETY INFORMATION. READ AND FOLLOW ALL SAFETY INSTRUCTIONS.** Follow label information and instructions concerning Wet or Damp Locations, installation near combustible materials, insulation, building materials, and proper lamping. Do not install in areas subject to combustible vapors or gases. Before wiring to power supply and during servicing or relamping, turn off power at fuse or circuit breaker. **All servicing or relamping must be performed by qualified service personnel. Product must be grounded to avoid potential electric shock or other potential hazard. Product must be mounted in locations and at heights and in a manner consistent with its intended use, and in compliance with the National Electrical Code and local codes.** The use of accessory equipment not recommended by the manufacturer or installed contrary to instructions may cause an unsafe condition. Do not block light emanating from product in whole or part, as this may cause an unsafe condition. Do not allow items such as drapes, curtains, screens or the like to come into contact with the product or to block light from the product, as this may cause an unsafe condition.

## INSTALLATION INSTRUCTIONS

### CFT6/832H EB/EBDM

1. Bend brackets as shown. Install the fixture in the ceiling using mounting channel or bar (by others) placed in the adjustable mounting brackets. Mount the fixture in the ceiling so that the weight of the fixture is supported by the mounting channel or bar and/or hanger wires secured to the building structure.
2. Adjust the fixture so the bottom of the plaster flange is flush with the finished ceiling line and in alignment with adjacent fixtures. Secure mounting brackets by tightening wing nuts on either side of the fixture.
3. Remove J-Box cover plate. Remove appropriate knockout and assemble appropriate connector for the supply wire used. Connect ground wires to green ground leads. Connect white (common) to white (leads). Connect power supply (line) to black lead(s). Connect ballast and socket leads using quick-connect plugs. Reinstall J-Box cover.
 

**WARNING: DO NOT pinch wires between J-Box/ballast cover and J-Box. Consult a Qualified Electrician for all other options that require other wiring configurations.**
4. Install reflector after all ceiling installation and finishing work is complete.
5. Push reflector into plaster flange. Next tighten reflector to ceiling with wing nut.
6. Install the proper lamps (by others).



**CAUTION: DO NOT ATTEMPT TO MODIFY OR REWIIRE FACTORY-INSTALLED WIRING ON THE FIXTURE. SAFETY AND PROPER OPERATION OF THE FIXTURE DEPEND ON THE INTEGRITY OF THE WIRING.**

