

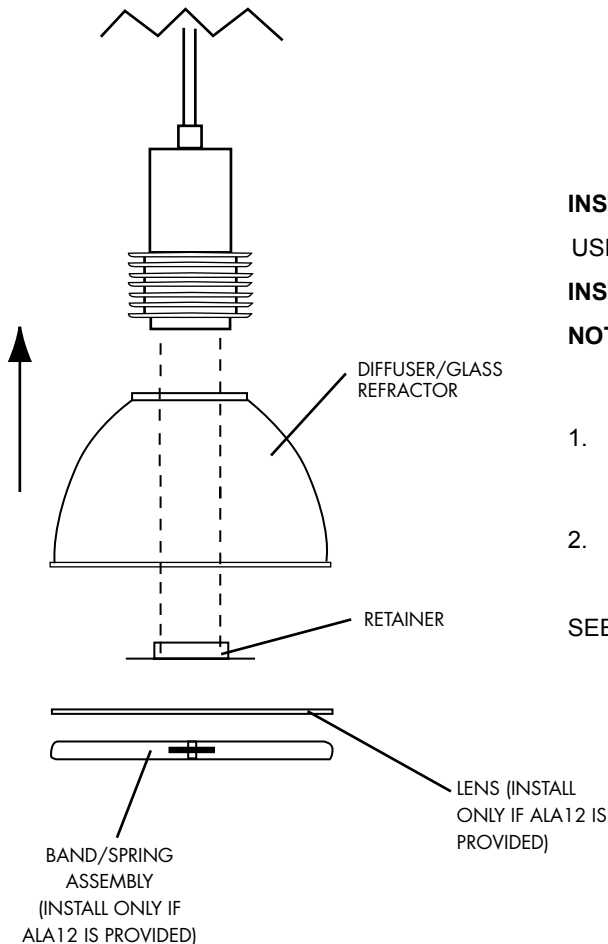
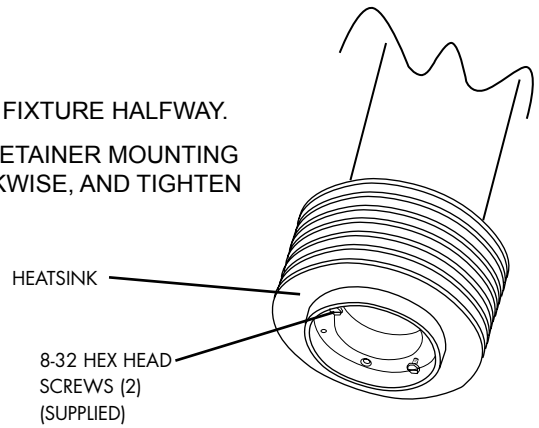
IMPORTANT SAFETY INFORMATION. READ AND FOLLOW ALL SAFETY INSTRUCTIONS. Follow label information and instructions concerning Wet or Damp Locations, installation near combustible materials, insulation, building materials, and proper lamping. Do not install in areas subject to combustible vapors or gases. Before wiring to power supply and during servicing or relamping, turn off power at fuse or circuit breaker. **All servicing or relamping must be performed by qualified service personnel. Product must be grounded to avoid potential electric shock or other potential hazard. Product must be mounted in locations and at heights and in a manner consistent with its intended use, and in compliance with the National Electrical Code and local building codes.** The use of accessory equipment not recommended by the manufacturer or installed contrary to instructions may cause an unsafe condition. Do not block light emanating from product in whole or part, as this may cause an unsafe condition. Do not allow items such as drapes, curtains, screens or the like to come into contact with the product or to block light from the product, as this may cause an unsafe condition.

INSTALLATION INSTRUCTIONS

DPRL, DPRVML, DPRGT, DPRPK, DPRPB, DPRPG, DPRW, DPRR, DPRA, DPRGR, DPRB, DPRG, ALA12

INSTRUCTIONS FOR DPRL & DPRVML

1. LOOSEN 2 HEX SCREWS AT BOTTOM OF HEATSINK OF THE FIXTURE HALFWAY.
2. PASS RETAINER THROUGH DIFFUSER AS SHOWN. ALIGN RETAINER MOUNTING KEYHOLES TO HEATSINK SCREWS, TURN RETAINER CLOCKWISE, AND TIGHTEN SCREWS.



INSTRUCTIONS FOR CLEANING:

USE A DAMP CLOTH FOR CLEANING INSIDE OF DIFFUSER.

INSTRUCTIONS FOR ALA12

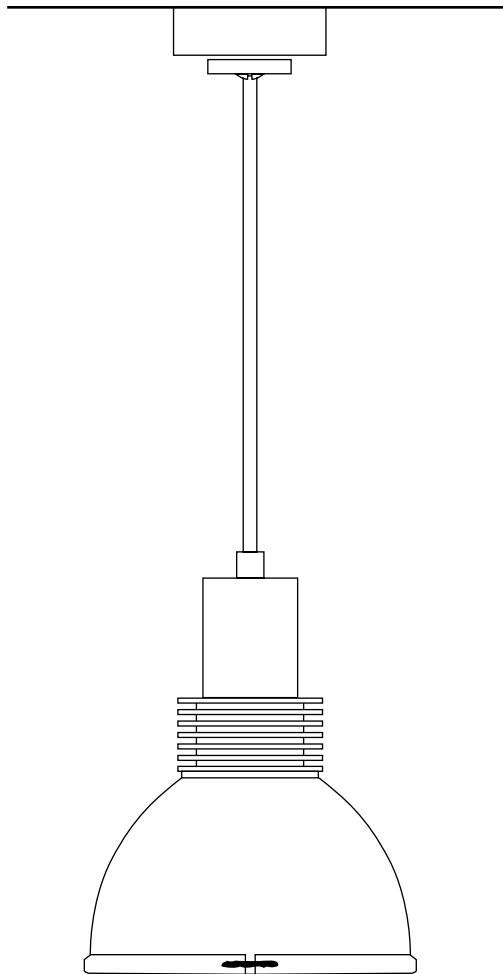
NOTE: INSTALL LENS ASSEMBLY (ALA12) AFTER ASSEMBLING ACRYLIC DIFFUSER ASSEMBLY (PRESCOLITE CAT. NO. DPRL OR DPRVML)

1. FIT LENS TO DIFFUSER APERTURE AS SHOWN AND STRETCH BAND/SPRING ASSEMBLY OVER DIFFUSER RIM AND LENS RIM.
2. ALA12 IS NOT TO BE USED ON DPRG.

SEE PAGE 2 FOR FIGURE OF FULLY INSTALLED FIXTURE.



**FULLY INSTALLED
DIFFUSER ASSEMBLY**



Instructions Sheet



Hubbell Lighting, Inc.

701 Millennium Blvd, Greenville, SC 29607
With representatives offices in principal cities throughout North America.
Copyright 2007, 08/29/07, All Rights Reserved - Printed in U.S.A.

