

## 6" LED Downlights

Ten (10) 3-Watt white LEDs

### Features

- Provides superior brightness control
- Unique light engine design, to produce uniform distribution by using Prescolite's Patented American Matte™ finish
- 45° physical cutoff to LED
- Equipped with (10) 3-Watt white Luxeon K2 LEDs (5500 Kelvin) or (10) 1-watt white Nichia LEDs (3500 Kelvin)
- Integral heat sink provides 70% average lumen maintenance at 50,000 hours
- Advance Xitanium Electronic Driver
- CSA C/US listed suitable for wet location under covered ceiling

# D6LED

Architektur

NEW!



LED

Order housing and housing options, reflector and reflector options, and accessories as separate line items. See ordering example below.

Catalog No. Description

### Line 1 Order Housing and Housing Options:

#### Housings

<b>D6LED</b>	6" LED downlight housing for 55K option
<b>D6LED2</b>	6" LED downlight housing for 35K option

#### Housing Options

<b>277V</b>	J-Box mounted step-down transformer
<b>DM</b>	ⓘ Dimming (only available with 35k option) <sup>1</sup>

### Line 2 Order Light Engine and Light Engine Options:

#### Reflectors (Refer to page 219 for descriptions and available reflector finishes)

<b>6D9</b>	6" Open Reflector/Light Engine Assembly w/ (10) 3W white LEDs
------------	---

#### Reflector Finish

<b>Blank</b>	Specular Alzak
<b>SS</b>	Semi-Specular Alzak
<b>MFC</b>	American Matte™ Alzak

#### Reflector Color

<b>Blank</b>	Clear Alzak
<b>CG</b>	Champagne Gold Alzak
<b>WE</b>	Wheat Alzak
<b>LW</b>	Light Wheat Alzak
<b>PW</b>	Pewter Alzak
<b>BL</b>	Black Alzak
<b>WH</b>	White Paint

#### LED Color Temperature

<b>Blank</b>	5500 Kelvin
<b>35K<sup>2</sup></b>	3500 Kelvin

#### Reflector Options

<b>TRG</b>	Trim ring gasket (factory installed)
<b>WT</b>	Painted white trim

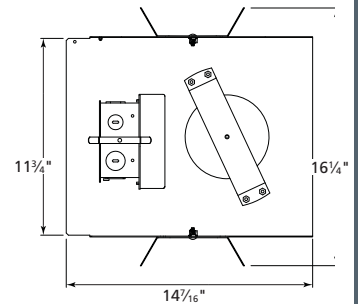
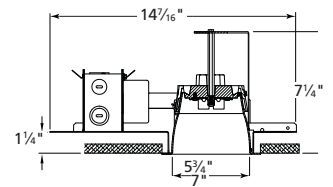
### Line 3 Order Accessories:

<b>B24</b>	Set of two (2) 24" bar hangers for T-bar ceilings
<b>B6</b>	Set of two (2) bar hangers for ceiling joists up to 24" centers
<b>Signos6</b>	Architectural decorative trim elements (D6LED only)

### Ordering Example:

Line 1	<b>D6LED277V</b>
Line 2	<b>6D9MFC</b>
Line 3	<b>B24</b>

<sup>1</sup>Dimmable to 30% of full light output  
<sup>2</sup>Requires D6LED2 housing



Maximum ceiling thickness = 1 1/4"  
 Ceiling Cutout = 6 1/4"