

New Construction DBXMRI

Line Voltage MRI
Incandescent Downlight
Air Shield™
IC/Non-IC Rated
120V

DATE: _____ TYPE: _____

FIRM NAME: _____

PROJECT: _____

LiteBox **6"**

Aperture: Nominal 6"
Ceiling Cutout: 6⁷/₈"
Maximum Ceiling Thickness: 2¹/₂"
For conversion to millimeters,
multiply inches by 25.4
Not to Scale

APPLICATIONS:

Suitable for new construction, whether or not insulation is present in rooms containing magnetic resonance imaging equipment. The DBXMRI complies with requirements for Air Shield™ applications.

AIR TIGHT REQUIREMENTS:

The DBXMRI is Air Shield™ rated in compliance with ASTM E283 and the Washington State Energy Code (WSEC).

REFLECTOR:

Trims are retained by a spring shipped with DBXMRI and has a positive upward spring action to ensure a snug fit to the ceiling plane, eliminating unwanted light leak, and sagging over time. Trims come standard with a painted white trim ring.

LAMP/SOCKET:

Porcelain socket with brass or copper screw shell. Socket snaps into trim carrier to place lamp in proper position ensuring consistent appearance and performance. Socket is shipped with removable paint protection cap. Thermal protector prevents fixture from overheating when improperly installed or over-lamped. Refer to trim for specific lamp information. Lamps furnished by others.

ELECTRICAL:

Suitable for use with DC or AC 120 Volt.

INSTALLATION:

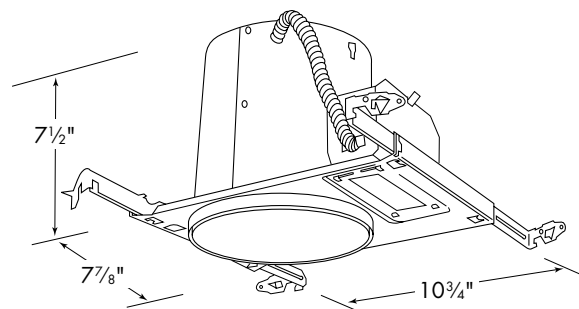
Pre-installed bar hangers. Accommodates up to 24" on center ceiling joists. Captive bar hangers will lock to secure housing in place, and can be reoriented 90° to housing.

HOUSING:

Housing with full wrap-around aluminum plaster frame. Aluminum housing adjusts from 1/2" to 2 1/2" thick ceilings. Notched mounting frame for easy alignment. Housing contains no significant ferrous materials. Overspray protection, universal aluminum J-box with snap-out sides, 3/4" plugs for rigid or BX fittings, thermal protector, and a grounding pigtail. Rated for 8 #12 90° conductors (4 in/4 out). Removable housing for field inspection of wiring.

LABELS:

IC and Non-IC rated. UL, CUL listed for damp location and through wiring. Thermally protected. Air Shield™ rated. WSEC compliant.



CATALOG NUMBER:

EXAMPLE: DBXMRI-TB60-G6

HOUSING

TRIMS

TRIMS

ACCESSORIES

DBXMRI
6" IC/Non-IC
air-tight MRI

BAFFLE
 TB60
 TBW60
 TB61
 TBW61
 TB62
 TBW62

OPEN
 TO6
 TO60B
 TO60C
 TO60G

G6
Ceiling gasket for 6"
line voltage trim.

Note: All trims are 7³/₄" O.D. except where indicated.

Baffle



TB60
Stepped black baffle.
Max. IC Application: 75W PAR-30, 65W BR-30;
Max. Non-IC Application: 150W PAR-38, 120W BR-40, 40W A-19



TBW60
Stepped white baffle.
Max. IC Application: 75W PAR-30, 65W BR-30;
Max. Non-IC Application: 150W PAR-38, 120W BR-40, 40W A-19



TB61
Long-neck black baffle.
Max. IC Application: 75W PAR-30L, 65W BR-30;
Max. Non-IC Application: 75W PAR-30L, 85W BR-30, 100W A-19



TBW61
Long-neck white baffle.
Max. IC Application: 75W PAR-30L, 65W BR-30;
Max. Non-IC Application: 75W PAR-30L, 100W A-19, 85W BR-30



TB62
High-wattage black stepped baffle. O.D. 8³/₄" dia.
Max. Non-IC Application: 150W PAR-38, 120W BR-40



TBW62
High-wattage white stepped baffle. O.D. 8³/₄" dia.
Max. IC Application: 90W PAR-38, 85W BR-40;
Max. Non-IC Application: 150W PAR-38, 120W BR-40

Open



TO6
White cone.
Max. IC Application: 75W PAR-30, 65W BR-30;
Max. Non-IC Application: 150W PAR-38, 120W BR-40, 40W A-19



TO60B
Black Alzak reflector.
Max. IC Application: 75W PAR-30, 65W BR-30;
Max. Non-IC Application: 150W PAR-38, 120W BR-40, 40W A-19




TO60C
Specular clear Alzak reflector.
Max. IC Application: 75W PAR-30, 65W BR-30;
Max. Non-IC Application: 150W PAR-38, 120W BR-40, 40W A-19



TO60G
Specular gold Alzak reflector.
Max. IC Application: 75W PAR-30, 65W BR-30;
Max. Non-IC Application: 150W PAR-38, 120W BR-40, 40W A-19

 Denotes Air Shield™ capability with DBXMRI.

 UL Listed for wet locations.

Refer to www.prescolite.com for photometrics.